

MONA 2

W0JP05892

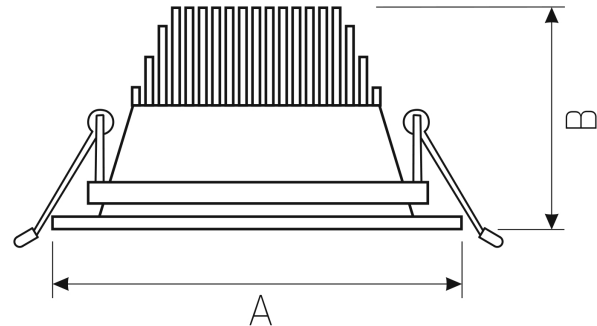
LED luminaire MONA 2, with a power of 19 W, high light efficacy 120 lm/W. It is made of high-quality components, supported by a 5-year warranty. It also stands out for its very high colour rendering index RA>90. It shines with a warm light (3000K), which promotes relaxation and rest, making the illuminated room cosier. Narrow beam angle 24° gives directional light so that selected objects or surfaces can be better exposed. Designed for recessed mounting.



Power	19 W	Voltage	230 V
Colour temperature	3000 K	Colour of light	WW
Beam angle	24 °	Degree of protection (IP)	IP20


Technical data

Code	WQJP05892
Power	19 W
Nominal current	90.9 mA
Voltage	230 V
Energy consumption	19 kWh/1000h
Frequency	50HZ Hz
Protection class	II
Manufacturer of power supply	TCI
Power factor	0.93
Useful luminous flux*	2280 lm (360°)
Luminous flux**	1900 lm (360°)
Lamp efficacy	120 lm/W
Colour temperature	3000 K
Colour of light	WW
Beam angle	24 °
RA	90
Light source included	+
Producer of LED diodes	CREE
Uniformity of color SDCM max	3
Dimmable	OPC
Working temperature range	-20/+40 °
Lifespan	50000 h
Housing material	Aluminum
Degree of protection (IP)	IP20
Colour	White
Dimension (AxBxC)	142x118 mm
Mounting hole	Ø110 mm
For use	Inside
Assembly method	Recessed
Application	Inside
Made in	PL



Related documents



 Declaration of Conformity



 Photometric file



 3D model