



MASTER LEDspot LV

MAS LEDspotLV D 7.5-50W 940 MR16 24D

Delivering intense accent beam, MASTER LEDspot LV is an ideal retrofit solution for spot lighting. MASTER LEDspot LV is designed to replace halogen or incandescent spots. It realizes natural colors, enables cozy and comfortable ambience for residential, hospitality and emphasizes the beauty of merchandise in retail. New smaller housing provides perfect fitting with majority of luminaires in a market with a MR16 GU 5.3 holder. It not only employs Philips' patented solution to guarantee the broadest possible compatibility with standard 12V halogen electronic transformers, it also delivers high beam intensity which is equivalent to halogen MR16 spots. The dimming function enables to create the desired atmosphere and it works with broad selection of dimmers. Its high SDCM ensure stricter color consistency, that is maintained over product life. MASTER LEDspot LV delivers huge energy savings and minimizes maintenance cost without any compromise on light quality and lifetime, enabling residential and business owners to achieve a return on their investment within short period time.

Product data

General Information		Operating and Electrical	
Cap-Base	GU5.3 [GU5.3]	Correlated Color Temperature (Nom)	4000 K
Nominal lifetime	40,000 hour(s)	Luminous Efficacy (rated) (Nom)	89.00 lm/W
Switching Cycle	50,000	Color Consistency	<4
Lighting Technology	LED	Color rendering index (CRI)	90
Flux measurement reference	Narrow Cone	LLMF At End Of Nominal Lifetime (Nom)	70 %
		Luminous Flux in 90° Cone (Rated)	670 lumen
Light Technical			
Color Code	940 [CCT of 4000K]	Line Frequency	- Hz
Beam Angle (Nom)	24 degree(s)	Input Frequency	- Hz
Luminous Flux	670 lumen	Power Consumption	7.5 W
Luminous Intensity (Nom)	4,400 cd	Lamp Current (Nom)	720 mA
Color Designation	Cool White (CW)	Wattage Equivalent	50 W

MASTER LEDspot LV

Starting Time (Nom)	0.5 s
Warm-up time to 60% light	0.5 s
Power Factor (Fraction)	0.7
Voltage (Nom)	ac electronic 12 V

Temperature	
T-Case Maximum (Nom)	90 °C

Controls and Dimming	
Dimmable	Only with specific dimmers

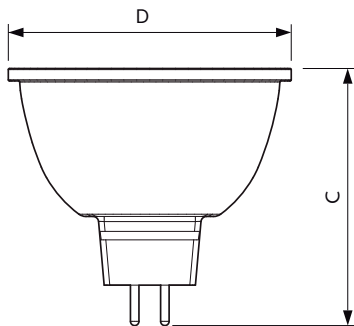
Mechanical and Housing	
Bulb Shape	MR16 [2inch/50mm]

Approval and Application	
Suitable For Accent Lighting	Yes

Energy Consumption kWh/1000 h	8 kWh
EPREL Registration Number	465,195
CE mark	Yes
EU RoHS compliant	Yes

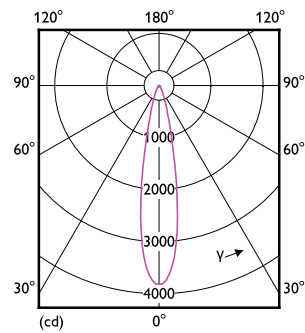
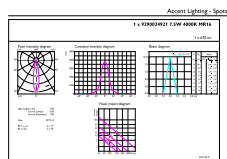
Product Data	
Full product code	871951430750600
Order product name	MAS LEDspotLV D 7.5-50W 940 MR16 24D
Order code	929002492102
Numerator - Quantity Per Pack	1
Numerator - Packs per outer box	10
Material number (12NC)	929002492102
Full product name	MAS LEDspotLV D 7.5-50W 940 MR16 24D
EAN/UPC - Case	8719514307513

Dimensional drawing



Product	D	C
MAS LEDspotLV D 7.5-50W 940 MR16 24D	50 mm	45.5 mm

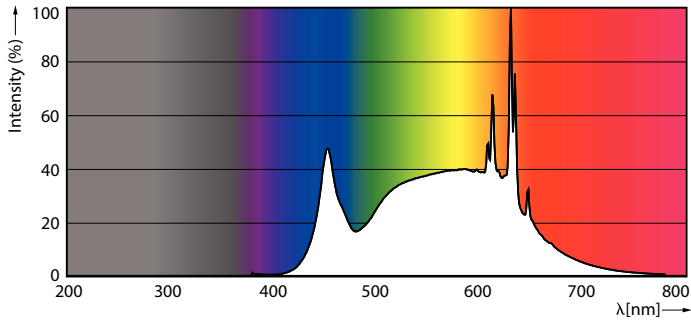
Photometric data



Light Distribution Diagram - MAS LEDspotLV D 7.5-50W 940 MR16 24D

MASTER LEDspot LV

Photometric data



Spectral Power Distribution Colour - MAS LEDspotLV D 7.5-50W 940 MR16 24D

Lifetime



Life Expectancy Diagram - MAS LEDspotLV D 7.5-50W 940 MR16 24D



Lumen Maintenance Diagram - MAS LEDspotLV D 7.5-50W 940 MR16 24D

