

WOJP09815

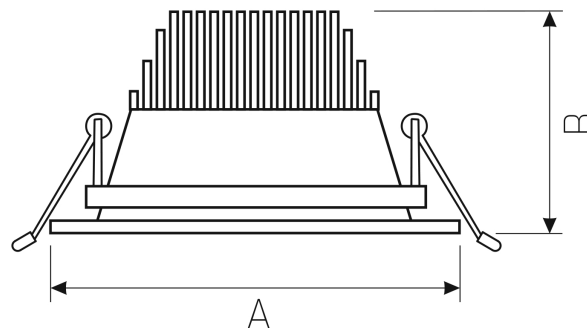
WOJP09815



Power	27 W	Voltage	230 V
Colour temperature	3000 K	Colour of light	WW
Beam angle	60 °	Degree of protection (IP)	IP20


Technical data

Code	WQJP09815
Power	27 W
Nominal current	129.1 mA
Voltage	230 V
Energy consumption	27 kWh/1000h
Frequency	50HZ Hz
Protection class	II
Manufacturer of power supply	TCI
Power factor	0.93
Useful luminous flux*	3510 lm (360°)
Luminous flux**	2970 lm (360°)
Lamp efficacy	130 lm/W
Colour temperature	3000 K
Colour of light	WW
Beam angle	60 °
RA	80
Light source included	+
Producer of LED diodes	CREE
Uniformity of color SDCM max	3
Dimmable	OPC
Working temperature range	-20/+40 °
Lifespan	50000 h
Housing material	Aluminum
Degree of protection (IP)	IP20
Colour	Black
Dimension (AxBxC)	180x130 mm
Mounting hole	Ø145 mm
For use	Inside
Assembly method	Recessed
Application	Inside
Made in	PL



Related documents



 Declaration of Conformity