

Product End-of-Life Instructions

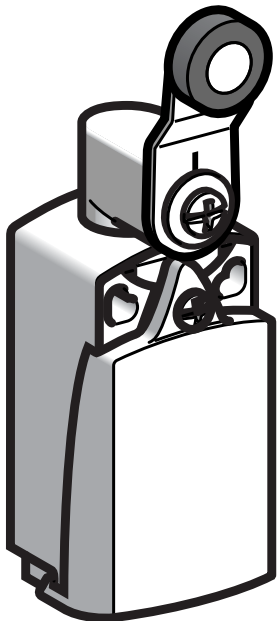
Plastic Limit Switch

Product Range

Plastic Limit Switch

Marketing Model

XCKP, XCKT, XCNT, XCNR, XCPR, XCSP, XCST and ZCP Plastic Limit Switches.

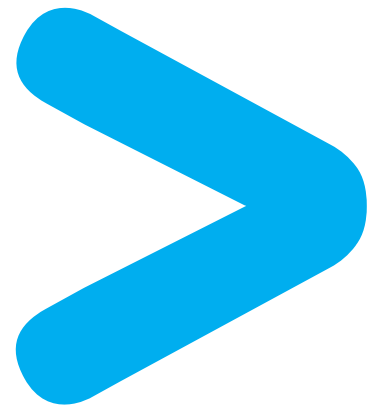


Size in mm:

H x L x D: 110 x 30 x 42

Weight in g:

115 g for XCKP2118G11



Telemecanique

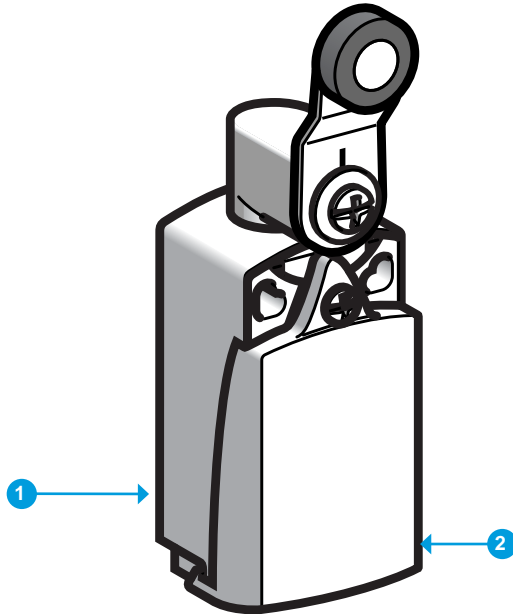
Sensors

Operations recommended for the end of life treatment

There are several steps to process the products at the end of life so as to recover components, materials or energy:

Reuse ⇒ **Separation for special treatment** ⇒ **Other dismantling** ⇒ **Shredding**

The components of the products that are recommended to be separated from the flow of waste for special treatment are listed, identified and located hereunder.



Recommendation	Number on drawing	Component	Weight (g)	Comment
Special treatment	1	Body	19	The respective weights of the body and cover depend on the considered commercial reference. Dismantle the body and the cover and send them for special treatment
Special treatment	2	Cover	11	

For more information please contact us at: global-green-sensors@schneider-electric.com.

Schneider Electric Industries SAS

35, rue Joseph Monier
CS30323
F - 92506 Rueil Malmaison Cedex

RCS Nanterre 954 503 439
Capital social 896 313 776 €
www.schneider-electric.com

The version of the Guide used to create the document: End of Life Instruction Drafting Guide of Schneider Electric version V3.

Publication: Schneider Electric