

PRODUCT DATASHEET

TRUSYS FLEX SURFACE CLIP

TruSys® FLEX SURFACE CLIP | Surface mounting clip for mounting rail



Product features

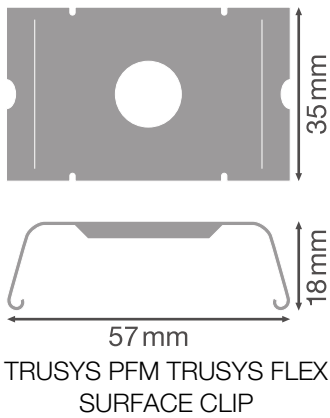
- Set of two mounting clips



TECHNICAL DATA

Dimensions & Weight

Length	57.0 mm
Width	35.0 mm
Height	18.0 mm
Product weight	18.00 g




Materials & Colors

Product color	Silver
Body material	Steel

Application & Mounting

Mounting location	Ceiling
-------------------	---------

DOWNLOAD DATA

Tender texts	Document name
 Tender documents	TruSys FLEX SURFACE CLIP SURFACE CLIP-EN

LOGISTICAL DATA

Product code	Packaging unit (Pieces/Unit)	Dimensions (length x width x height)	Gross weight	Volume
--------------	------------------------------	--------------------------------------	--------------	--------

Product code	Packaging unit (Pieces/Unit)	Dimensions (length x width x height)	Gross weight	Volume
4058075781894	BAG 2	94 mm x 155 mm x 1 mm	43.00 g	0.01 dm ³
4058075781900	Shipping box 800	440 mm x 440 mm x 180 mm	17530.00 g	34.85 dm ³

The mentioned product code describes the smallest quantity unit which can be ordered. One shipping unit can contain one or more single products. When placing an order, for the quantity please enter single or multiples of a shipping unit.

DISCLAIMER

Subject to change without notice. Errors and omission excepted. Always make sure to use the most recent release.