

## Introduction:

This product is a conversion kit for installing XBT GT5330 in place of XBTF034. By using this product you can replace the current model with a new model that has smaller panel cutout dimensions.

---

## Package Contents

This unit has been carefully packed, with special attention to quality. However, if for any reason you find any of the contents of this package damaged or missing, please contact your local Schneider-Electric local distributor.

Before installing XBT GT unit with Panel Cut Out Adapter, check that you have all items listed below:

Packing list
Panel Cut Out Adapter x 1
Gasket x 1
M4 Hex nut x 6
Exclusive installation fastener x 4

---

## Prerequisites

Before installing the XBT GT unit with Panel Cut Out Adapter, ensure that your installation can support the following characteristics:

Item	XBT GT5330 Specified Values
Protective Construction	Protection: Equivalent to IP65 (Front face of installed unit)
Weight of Panel Cut Out Adapter	0.201 kg (0.443lb.)
Weight of Gasket	0.005 kg (0.011lb)
External Dimensions	W: 207 mm (8.15 inch) H: 157 mm (6.18 inch)
Color	Silver metallic
Material	Steel plate

---

---

**Installing the XBT GT5330 unit:**

For numbers in brackets, refer to illustration below.

Step	Action
1	Check that the XBT GT5330 unit (1) and the moisture resistant gasket (2) are present
2	Make sure the moisture resistant gasket is fitted properly onto the XBT GT5330 unit.
3	Install the gasket (4) to the Panel Cut Out adapter (3) correctly.
4	Attach the XBT GT5330 unit (1) to the Panel Cut Out Adapter prepared in Step 3 by using the installation fasteners (6).
5	Tighten the fastener attachment screws to 0.5 N.m (0.11lb-in.).
6	Insert the attachment prepared in Step 4 into the cutout section of the XBT GT5330 operation panel of the target model by matching the threaded portion of the plate with the four corners of the panel.
7	Confirm the gasket is installed correctly.
8	Tighten the M4 hex nuts (5) evenly to 0.5 N.m (0.11lb-in.).

 **CAUTION**

**EQUIPMENT DAMAGE HAZARD**

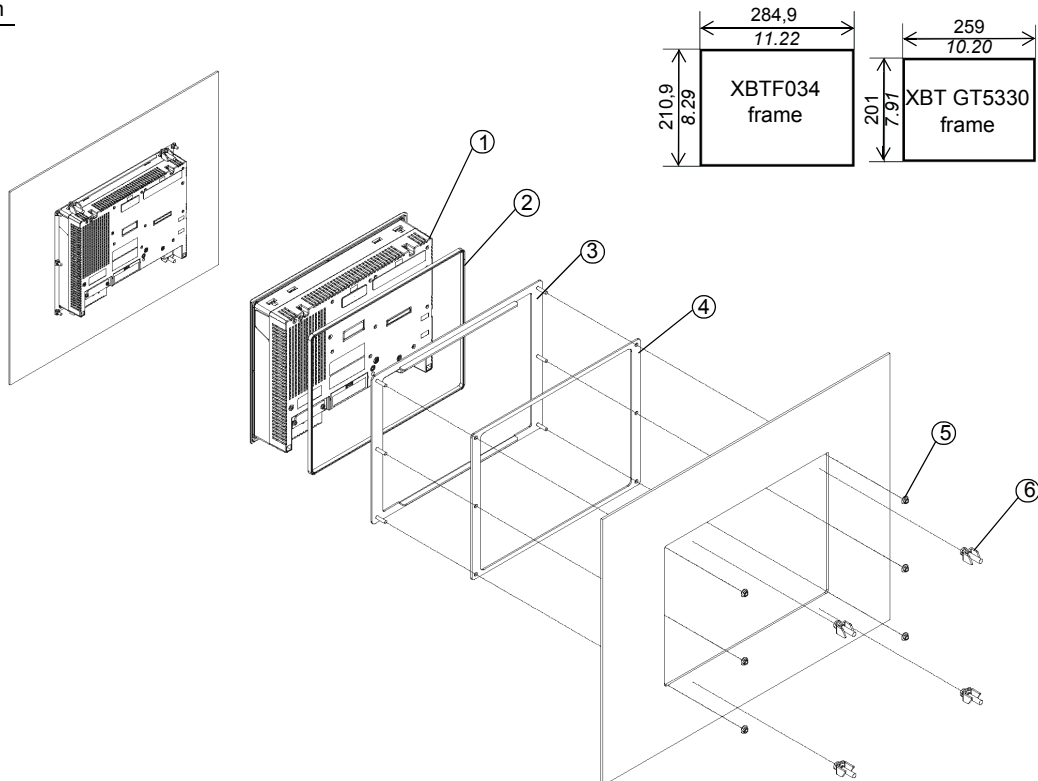
Do not exert more than 0.5Nm (4.4in-lb) of torque when tightening the fastener screws and hex nuts.

**Failure to follow this instruction can result in injury or equipment damage.**

---

**Illustration of XBT GT5330 installation.**

mm  
in.



**Main unit and accessories in illustration.**

Main unit and accessories	Item
XBT GT5330 unit x1	(1)
Moisture resistant gasket x1	(2)
Panel Cut Out Adapter x1	(3)
Gasket x1	(4)
M4 Hex nut x6	(5)
Exclusive installation fastener x4	(6)

