


52004280	<b>DATA SHEET</b>	
Valid from: 06.06.2023	<b>SKINDICHT® SKZ / SKZ-XL</b>	

The SKINDICHT® SKZ is a saddle clamp strain relief cable gland for row applications. The arrangement of the saddle clamps provides a wide clamping range with central cable clamping. The seal is achieved by a recessed sealing ring and an O-ring fitted onto the connecting thread. This cable gland is particularly suitable for use in plugs, switches and control panels.



The SKINDICHT® SKZ-XL is similar to the SKINDICHT® SKZ, but has an extended connection thread for thick walls.

**Components:**

Gland body	Brass, nickel-plated
Pressure screw with double clamp	Brass, nickel-plated
Incised sealing ring	CR
O-ring	NBR

**Technical features:**

Connecting thread	PG9 up to PG29 acc. to DIN 40430
Protection class	IP55 acc. to EN 60529
Temperature range	-20°C up to +80°C

**Norm references:**




**Note:**

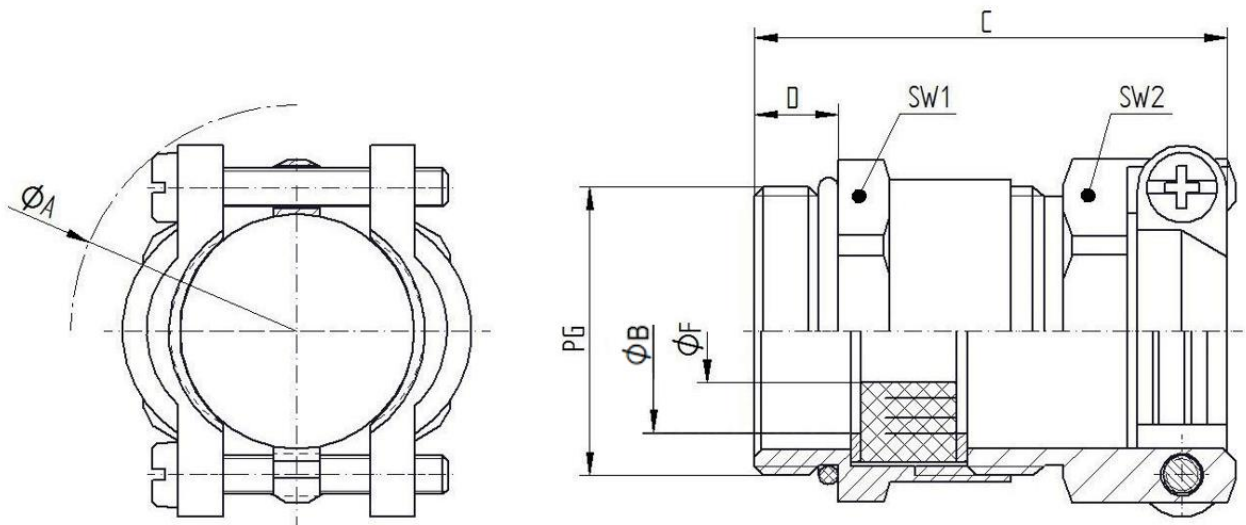
Counter nut to be used: SKINDICHT® SM  
For additional accessories see SKINDICHT® EV

For more information please see our current catalogue. Please do not hesitate to contact our laboratory if there are any questions regarding resistance against aggressive agents and special oil.

Creator: FICE1 /PDP Released: VACH1/PDP	Document: DB52004280EN Version: 05	Page 1 of 2
--	---------------------------------------	-------------

52004280	<b>DATA SHEET</b>	
Valid from: 06.06.2023	<b>SKINDICHT® SKZ / SKZ-XL</b>	

**Product drawing:**



**Dimension tables:**

**SKINDICHT® SKZ**

PG	SW1 [mm]	SW2 [mm]	Ø A [mm]	C [mm]		D [mm]	Ø F [mm] incised sealing ring	Ø B [mm]	Article No.
				min.	max.				
PG9	17	17	28	27	30	6	5/8	10	52004280
PG11	20	20	30	27	30	6	7/10/12,5	12	52004290
PG13,5	22	22	34	30	34	6,5	7/10,5/13/16	14	52004300
PG16	24	24	36	31	35	6,5	8/10,5/13,5/16	16	52004310
PG21	30	30	46	37	41	7	11/15/18/20	21	52004320
PG29	40	41	58	42	46	8	18/23/27/31	30	52005570

**SKINDICHT® SKZ-XL**

PG	SW1 [mm]	SW2 [mm]	Ø A [mm]	C [mm]		D [mm]	Ø F [mm] incised sealing ring	Ø B [mm]	Article No.
				min.	max.				
PG9	17	17	28	36	39	15	5/8	10	52005575
PG11	20	20	30	36	39	15	7/10/12,5	12	52005576
PG13,5	22	22	34	38,5	42,5	15	7/10,5/13/16	14	52005577
PG16	24	24	36	39,5	43,5	15	8/10,5/13,5/16	16	54000043
PG21	30	30	46	45	49	15	11/15/18/20	21	54000011
PG29	40	41	58	49	53	15	18/23/27/31	30	54000098

Creator: FICE1 /PDP Released: VACH1/PDP	Document: DB52004280EN Version: 05	Page 2 of 2
--	---------------------------------------	-------------