



Ledinaire SlimDownlight

DN065B G4 12S/830_840_865 PSU-E D150 RD

Ledinaire SlimDownlight, 12 W, 1200 lm, 3000 K, Beam angle 100°, White

The LEDINAIRE range contains a selection of popular off-the-shelf LED luminaires that come with the high Philips quality levels at a competitive price. Reliable, energy-efficient and affordable – just what you need

Product data

General Information	
Light source replaceable	No
Number of gear units	1 unit
Driver included	Yes
Value ladder	Value
Light Technical	
Luminous Flux	1,200 lm
Luminous Efficacy (rated) (Nom)	100 lm/W
Correlated Color Temperature (Nom)	3000 K
Color rendering index (CRI)	80
Flickering value (PstLM) -	0.9
Flickering value as per EN 61000-3-3	
Stroboscopic effect visibility measure (SVM)	0.3
Light source color	3000/4000/6500
Optic type	Beam angle 100°
Luminaire light beam spread	110°
Unified glare rating CEN	28
Photobiological safety according to EN 62471	RG0
Operating and Electrical	
Input Voltage	220 to 240 V
Input Frequency	50 or 60 Hz
Inrush current	5 A
Inrush time	0.1 ms
Power Consumption	12 W
Power Factor (Fraction)	0.9
Connection	Push-in connector 3-pole

Ledinaire SlimDownlight

Cable	Cable with connector 2-pole
Number of products on MCB of 16 A type B	212
Temperature	
Ambient temperature range	-20 to +40 °C
Controls and Dimming	
Dimmable	No
Constant light output	No
Mechanical and Housing	
Housing Material	Metal
Reflector material	-
Optic material	Acrylate
Optical cover material	Polycarbonate
Fixation material	Steel
Housing Color	White
Optical cover finish	Frosted
Overall height	25 mm
Overall diameter	170 mm
Approval and Application	
Ingress protection code	IP20/44 [Finger-protected; wire-protected, splash-proof]
Mech. impact protection code	IK03 [0.35 J reinforced]
Insulation Coverage	Full coverage acc. to IEC 60598-1 9.0
Rating	
Protection class IEC	Safety class II
Glow-wire test	Temperature 650 °C, duration 30 s
Flammability mark	For mounting on normally flammable surfaces
CE mark	CE mark
Warranty period	5 years
EU RoHS compliant	Yes

Initial Performance (IEC Compliant)

Luminous flux tolerance	+/-10%
Initial chromaticity	(ANSI3000K, 0.4339, 0.40334000K0.3761;0.3658ANSI6500K0.3123;0.3283) 5SDCM
Power consumption tolerance	+/-10%

Over Time Performance (IEC Compliant)

Median useful life L70B50	50,000 hour(s)
Lumen maintenance at median useful life* 50000 h	L70

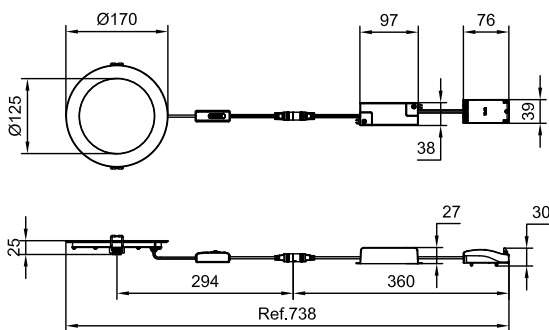
Application Conditions

Suitable for random switching	Not applicable
--------------------------------------	----------------

Product Data

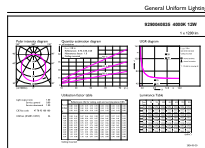
Order product name	DN065B G4 12S/830_840_865 PSU-E D150 RD
Full product name	DN065B G4 12S/830_840_865 PSU-E D150 RD
Full product code	872016930395900
Order code	929004083532
Material Nr. (12NC)	929004083532
Numerator - Quantity Per 1 Pack	
Net Weight (Piece)	0.300 kg
EAN/UPC - Product/Case	8720169303959
Numerator - Packs per outer box	12
EAN/UPC - Case	8720169303966

Dimensional drawing

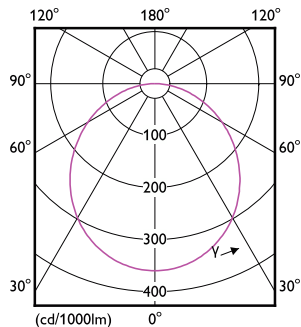


Ledinaire SlimDownlight

Photometric data



General Uniform Lighting - DN065B G4 12S/830_840_865 PSU-E D150 RD



Light Distribution Diagram - DN065B G4 12S/830_840_865 PSU-E D150 RD

