



- Stylish and compact surface mounted spot
- Clean “twist-and-lock” mounting system
- High quality full metal body
- Available in matte white (WH) and matte black (BL) versions
- Triac dimming in higher power versions
- Small diameter of only 55 and 75mm
- Standard CRI 90



Specifications

Item Code	Item Description	Equivalent to (W)	Power (W)	Lumen	Efficacy (lm/W)	CCT (K)	Weight (kg/pc)
On-Off, Adjustable							
541003589600	LEDSpotRA-Selena-E 5W-930-55D-WH	Halogen 35W	4.8	400	83	3000	0.22
541003589700	LEDSpotRA-Selena-E 5W-930-55D-BL	Halogen 35W	4.8	400	83	3000	0.22
On-Off, Fixed							
541003590000	LEDSpotRF-Selena-E 5W-930-55D-WH	Halogen 35W	4.8	400	83	3000	0.22
541003590100	LEDSpotRF-Selena-E 5W-930-55D-BL	Halogen 35W	4.8	400	83	3000	0.22
Dimmable (Triac), Fixed							
541003590400	LEDSpotRF-Selena-E 7W-DIM-930-55D-WH	Halogen 50W	7	560	80	3000	0.38
541003590500	LEDSpotRF-Selena-E 7W-DIM-930-55D-BL	Halogen 50W	7	560	80	3000	0.38

Accessories



821017003600
LEDSmart-BLE2-Relay-250W-DIM

5 YEARS WARRANTY



Technical Specifications	
Lifetime (L70)	50,000 h
Lifetime (L80)	30,000 h
On-/Off-cycles	100,000
Colour consistency (SDCM)	4
Dimmability	On-Off / Triac
Beam angle	55°
Maximum tilt angle	90°
Finishing	Matte White / Matte Black
Colour rendering index (CRI)	≥ 90
IP front side	n/a
IP recessed part	n/a
Impact strength	IK02
Protection class	II
Risk group (EN 62471)	RG1
With control gear	Yes
Glow wire test	650°C
Displacement factor (DF)	n/a

Electrical Supply	
Frequency	50/60 Hz
Nominal voltage	220-240 V
DC input voltage	See catalogue appendix Connection Specifications
230V Cable length	n/a

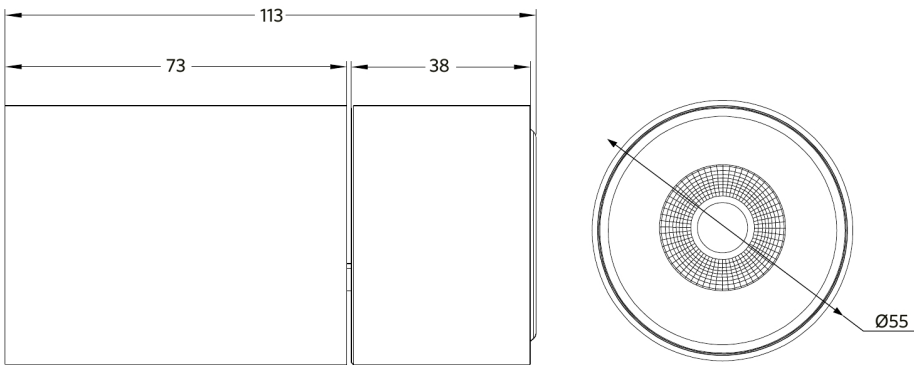
Mechanical Properties	
Housing material	Aluminium
Optical material	Polycarbonate

Ambient Conditions	
Operating temperature	-10-+40°C
Application temperature	+25°C
Storage environment	-25-+50°C

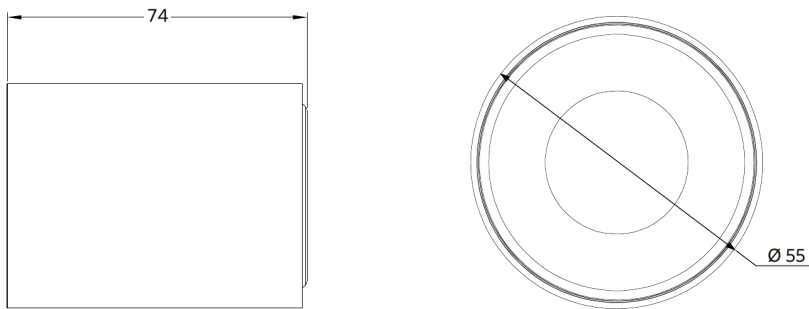


Dimensional Drawing (mm)

LEDSpotRA-Selena-E 5W



LEDSpotRF-Selena-E 5W



LEDSpotRF-Selena-E 7W-DIM

