


22262109	DATA SHEET	
Valid from: 12.09.2019	AB-C5-M12FA-PG7-SH	

Product description

Sensor/Actuator female connector, angled plug, 5-pos., M12, shielded, A-coded, screw connection, metal knurl, cable screw connection Pg7



General properties

Ambient temperature	-40 to +85 °C
Protection degree	IP 67
Number of contacts	5
Outer diameter, cable	4.0 – 6.0 mm
Termination type	screw connection
Termination cross section, AWG	24 - 18
Termination cross section, mm ²	0.25 – 0.75
Mating cycles	≥ 100

Electrical properties

Rated voltage	60 V
Contact resistance	≤ 3 mΩ
Insulation resistance	≥ 100 MΩ
Proof voltage, contact-contact	≥ 1.0 kV
Proof voltage, contact-housing	≥ 1.0 kV
Rated current	4 A
Overvoltage category	II
Pollution degree	3

Materials

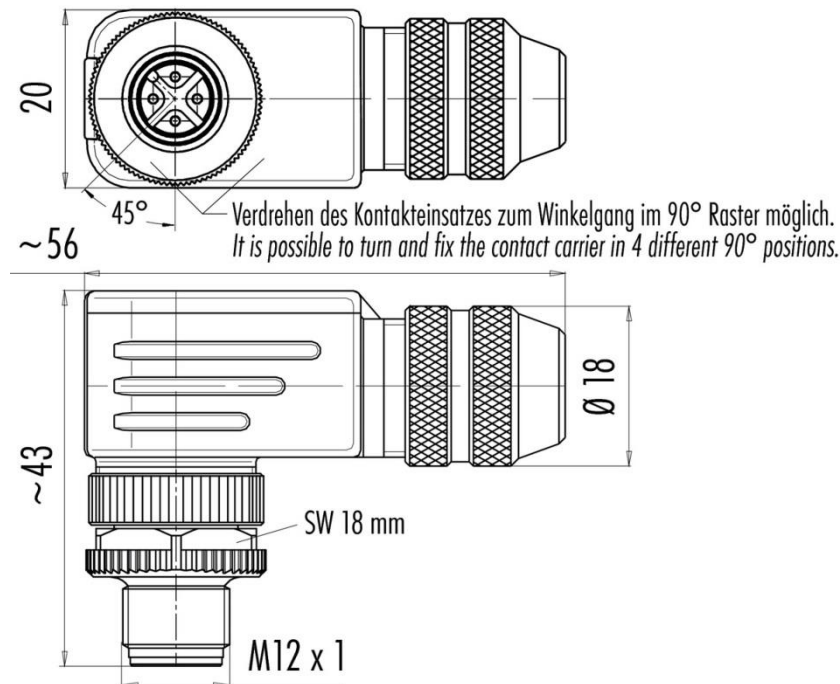
Contact carrier	PA
Contact carrier, Inflammability class in accordance with UL 94	V0
Contacts, base material	CuZn
Contacts, surface	Au
Locking nut	Die-cast zinc, Ni plated
Grip body	Die-cast zinc, Ni plated
Sealing	NBR / FKM

Standards

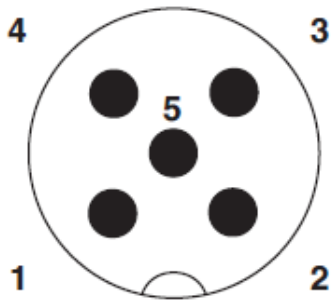
Product standard	M12-Connector acc. to DIN EN 61076-2-101
------------------	--

Creator: MANA2/PDP Released: IVSE1/PDP	Document: DB22262109EN Version: 03	Page 1 of 2
---	---------------------------------------	-------------

Drawings



Pin assignment



Application range

Automation, industrial machinery and plant engineering

Note

Photographs are not true to scale and do not represent detailed images of the respective products.