

# Product Data Sheet

## GW27062

27 COMBI Range



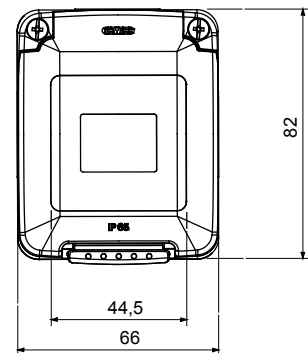
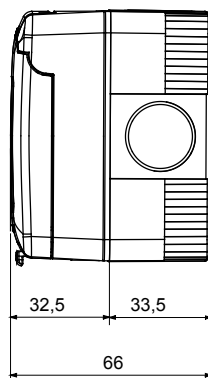
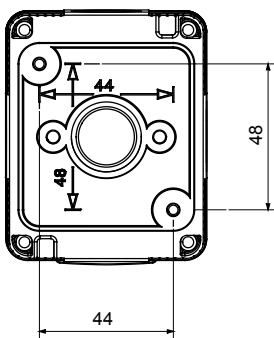
A complete, versatile system of modular containers, perfectly integrable in the SYSTEM domestic range and able to meet the high protection installation requirements of the residential, commercial and industrial sectors. The 27 COMBI range is available both in the IP40 version and in watertight versions with IP55, IP65 and IP66 degree of protection, recommended for all outdoor applications which are subjected to extreme atmospheric conditions.

Description	2 modules	Colour	Grey RAL 7035
Door type	Rigid	Door colour	Smoked Transparent
No. knockout holes Ø23	4 on sides / 1 on the bottom	Type of knockout holes	Removable with tool
IP degree	IP65	Insulation class	II
Mechanical resistance	IK07	Lid screws	Stainless steel
Torque screws tightening	0.8 Newton/meter	Outer dim. LxHxD (mm)	66x82x65
Glow Wire Test	650 °C	Thermo-pressure with ball	70 °C
Standard	EN 60670-1	Installation temperature	-25 +60 °C
Electrocod	0212		

### BEHAVIOUR WITH CHEMICAL AND ATMOSPHERIC AGENTS

Saline solution	Acids		Bases		Solvents				Mineral oil	UV rays
	Concentrated	Diluted	Concentrated	Diluted	Hexane	Benzol	Acetone	Alcohol		
Resistant	Limited resistance	Resistant	Resistant	Resistant	Limited resistance	Not resistant	Not resistant	Not resistant	Limited resistance	Resistant

### DIMENSIONAL



### TECHNICAL SYMBOLOGY



IP

IP65



II

IK

IK07

GWT

650 °C



70 °C

### STANDARDS/APPROVALS



GEWISS S.p.A. Via A. Volta, 1  
24069 Cenate Sotto - Bergamo - Italy  
tel. +39 035 94 61 11 fax +39 035 94 69 09

www.gewiss.com  
sat@gewiss.com  
Last update 20/04/2023

Data, measures, designs and pictures are shown only as informative purposes, and could be changed without previous notice