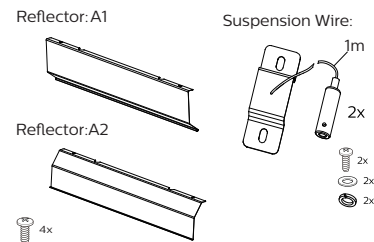
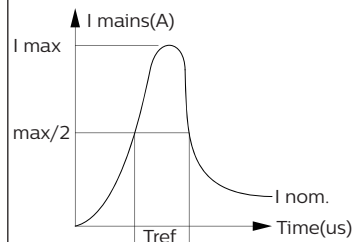


| Installation Mode | 12NC | Description |
|-------------------|-----------------------|----------------------------------|
| 1 | Suspension | 911401776802 BN126Z SC |
| 2 | surface or suspension | 911401776812 BN126Z REF A1 L600 |
| 3 | surface or suspension | 911401776822 BN126Z REF A1 L1200 |
| 4 | surface or suspension | 911401776832 BN126Z REF A1 L1500 |
| 5 | surface or suspension | 911401776842 BN126Z REF A1 L1800 |
| 6 | surface or suspension | 911401776852 BN126Z REF A2 L600 |
| 7 | surface or suspension | 911401776862 BN126Z REF A2 L1200 |
| 8 | surface or suspension | 911401776872 BN126Z REF A2 L1500 |
| 9 | surface or suspension | 911401776882 BN126Z REF A2 L1800 |



Inrush current

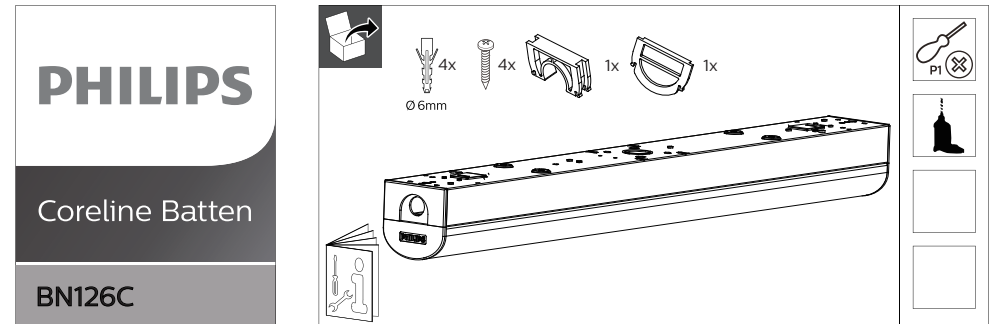


| | L600 | | L1200 | | L1500 | | L1800 | |
|----------------------------|------------------|------------------|------------------|------------------|------------------|------------------|------------------|----------------------------|
| | LED22S LED20S | LED25S LED23S | LED41S LED38S | LED64S LED60S | LED35S LED32S | LED52S LED48S | LED80S LED74S | LED64S LED60S LED94S |
| Electrical characteristics | | | | | | | | |
| Inom (mA) | 76 | 80 | 140 | 220 | 115 | 180 | 260 | 220 330 |
| Imax (A) | 3.6 | 3.6 | 5.2 | 6.9 | 5.2 | 5.6 | 6.9 | 6.9 6.9 |
| Tref (µs) | 40 | 40 | 47 | 58 | 47 | 47 | 58 | 58 128 |
| MCB Luminaire Max. | | | | | | | | |
| B-10 A | 32 | 30 | 25 | 22 | 30 | 24 | 18 | 22 13 |
| B-16 A | 50 | 48 | 40 | 35 | 47 | 38 | 28 | 35 20 |
| C-10 A | 51 | 49 | 41 | 36 | 48 | 39 | 29 | 36 20 |
| C-16 A | 85 | 82 | 68 | 60 | 80 | 65 | 48 | 60 34 |

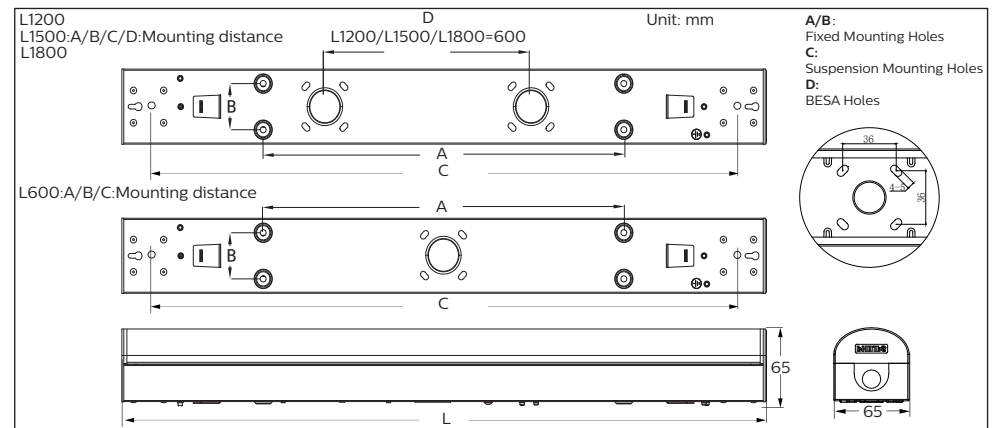
© 2019 Signify Holding. All rights reserved. This document contains information relating to the product portfolio of Signify which information may be subject to change. No representation or warranty as to the accuracy or completeness of the information included herein is given and any liability for any action in reliance thereon is disclaimed. The information presented in this document is not intended as any commercial offer and does not form part of any quotation or contract. Philips and the Philips Shield Emblem are registered trademarks of Koninklijke Philips N.V.. All other trademarks are owned by Signify Holding or their respective owners.



Signify Holding.
The Netherlands



| | P (W) | A (mm) | B (mm) | C (mm) | L (mm) | kg |
|----------------------------------|-------|--------|--------|--------|--------|------|
| BN126C LED22S/840 PSU TW1 L600 | 17 | 310 | 40 | 547 | 600 | 0.85 |
| BN126C LED20S/830 PSU TW1 L600 | 17 | 310 | 40 | 547 | 600 | 0.85 |
| BN126C LED25S/840 PSU TW1 L1200 | 18 | 960 | 40 | 1073 | 1135 | 1.45 |
| BN126C LED23S/830 PSU TW1 L1200 | 18 | 960 | 40 | 1073 | 1135 | 1.45 |
| BN126C LED41S/840 PSU TW1 L1200 | 31 | 960 | 40 | 1073 | 1135 | 1.45 |
| BN126C LED38S/830 PSU TW1 L1200 | 31 | 960 | 40 | 1073 | 1135 | 1.45 |
| BN126C LED64S/840 PSU TW1 L1200 | 49 | 960 | 40 | 1073 | 1135 | 1.45 |
| BN126C LED60S/830 PSU TW1 L1200 | 49 | 960 | 40 | 1073 | 1135 | 1.45 |
| BN126C LED35S/840 PSU TW1 L1500 | 25.5 | 972 | 40 | 1073 | 1450 | 1.73 |
| BN126C LED32S/830 PSU TW1 L1500 | 25.5 | 972 | 40 | 1073 | 1450 | 1.73 |
| BN126C LED52S/840 PSU TW1 L1500 | 40 | 972 | 40 | 1073 | 1450 | 1.73 |
| BN126C LED48S/830 PSU TW1 L1500 | 40 | 972 | 40 | 1073 | 1450 | 1.73 |
| BN126C LED80S/840 PSU TW1 L1500 | 59 | 972 | 40 | 1073 | 1450 | 1.73 |
| BN126C LED74S/830 PSU TW1 L1500 | 59 | 972 | 40 | 1073 | 1450 | 1.73 |
| BN126C LED64S/840 PSU TW1 L1800 | 49 | 1280 | 40 | 1373 | 1750 | 2.15 |
| BN126C LED60S/830 PSU TW1 L1800 | 49 | 1280 | 40 | 1373 | 1750 | 2.15 |
| BN126C LED100S/840 PSU TW1 L1800 | 75 | 1280 | 40 | 1373 | 1750 | 2.15 |
| BN126C LED94S/830 PSU TW1 L1800 | 75 | 1280 | 40 | 1373 | 1750 | 2.15 |



1x 2x Max.number of connected luminaire 10x

or

! -The luminaire shall be installed by a qualified electrician and wired in accordance with the latest IEE electrical regulations or the national requirements.
 - LED board & led driver are not serviceable and not replaceable.
 - The light source of this luminaire is not replaceable; when the light source reaches its end of life the whole luminaire shall be replaced.
 - Luminaire must not be used or stored in corrosive environment where hazardous materials such as sulphur, chlorine, phthalates, etc, are present.
 - This luminaire is not suitable for use as emergency lighting

ATTENTION
 OBSERVE PRECAUTIONS FOR HANDLING ELECTROSTATIC SENSITIVE DEVICES

1 **2.1:Surface Mounted** Ø5.5

2x 2x

2x 2x

0.5Nm

2.2:Suspend Mounted Ø5.5

2x 2x

Optional

2x 2x

2.3:Mounted with BESA Ø5.5

BESA 4x

0.5Nm

3 :Wiring from end hole

35 8 20

L
N
PE

H05RN-F
Min. 3x1.0mm²
Max. 3x2.5mm²
Ø8-Ø12mm

0.4Nm

3.1:Wiring from middle hole

0.4Nm

4 **5**

1x 2x 3x

6 **7**

1x 2x 3x

The end face of the first luminaire and the last luminaire

0.4Nm