



HF-Performer Intelligent for TL5 HE/HO lamps

HF-Pi 1 28/35/49/80 TL5 EII

HF-Performer Intelligent for Master and ECO TL5 HE/HO, TL-D and PL-L lamps. HF-Performer Intelligent features automatic recognition of the connected lamp and is independently able to adjust its operation parameters exactly to the respective lamp. This results in a substantial benefit, especially for T5 lamps, as it means TL5 HE and HO lamps of the same length can be interchanged. With a choice of seven ballasts, the customer is able to handle efficiently every possible combination of Master TL5 and Eco, TL-D, and PL-L lamps. The ballast is primarily designed for Indoor application. For outdoor application, the luminaire should be minimum Classland need to be sufficiently protected against water & dust. The installation should also be guard against any lightning surge or any other necessary electrical protection as deemed in such typical installation & application.

Product data

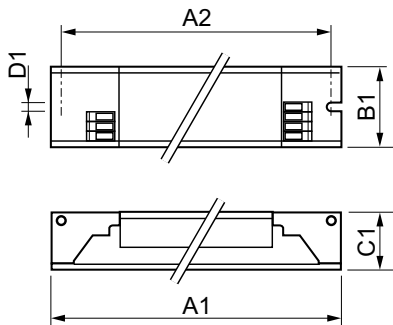
General Information		Number of Products on MCB (16A Type B) 12 (Nom)	
Number of Lamps	1 piece/unit		
Operating and Electrical		Wiring	
Input Voltage	220 to 240 V	Connector Type Input Terminals	Insert
Line Frequency	50 to 60 Hz	Connector Type Output Terminals	Insert
Input Frequency	50 to 60 Hz		
Earth Leakage Current (Max)	0.5 mA	Temperature	
Inrush Current Width	0.35 ms	Ambient temperature range	-25 °C to 50 °C
Inrush Current Peak (Max)	31 A	T-Case Lifetime (Nom)	75 °C

HF-Performer Intelligent for TL5 HE/HO lamps

T-Case Maximum (Max)	75 °C
Mechanical and Housing	
Housing	L360x30x22
Approval and Application	
Ingress protection code	IP20 [Finger-protected]
Energy Efficiency Index	A2 BAT
Safety Standard	IEC 61347-2-3
Environmental Standard	ISO 14001
Approval Marks	CE marking ENEC certificate VDE-EMV certificate

Product Data	
Full product code	872790086249200
Order product name	HF-Pi 1 28/35/49/80 TL5 EII
Order code	913700652566
Numerator - Quantity Per Pack	1
Numerator - Packs per outer box	12
Material number (12NC)	913700652566
Full product name	HF-Pi 1 28/35/49/80 TL5 EII
EAN/UPC - Case	8727900862492

Dimensional drawing



Product	D1	C1	A1	A2	B1
HF-Pi 1 28/35/49/80 TL5 EII	4.2 mm	22 mm	360 mm	350 mm	30 mm

