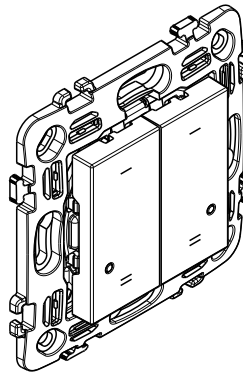


Classia
Wireless light double switch

RW4003DCW - RA4003DCW - RG4003DCW



Use

It allows the ON/OFF control of two or more connected devices for the lighting control. Surface installation with repositionable stickers (supplied) or onto a flush mounting box. Integrated LED for low battery indication. - 2 modules

Standards and approvals

The undersigned, BTICINO, declares that the radio-electric equipment type (RW-RA-RG4003DCW) complies with directive 2014/53/EU. The full text of the EU declaration of conformity is available on the following website: www.bticino.it/red

Range

Designation	Cat. Nos.
Wireless lighting and socket control, for ON/OFF, dimmer, centralisation function.	<input type="checkbox"/> RW4003DCW
Supplied complete with battery.	<input type="checkbox"/> RA4003DCW
Equipped with an LED indicator (configuration) and a RESET button (hidden) used to return to factory settings.	<input type="checkbox"/> RG4003DCW
Repositionable self-adhesive fixings supplied.	

Colours code:

- White
- Aluminum
- Black

Technical characteristics

- Mechanical characteristics

Protection against impacts: IK 02
 Protection against solid bodies/liquids: IP 20 without plate or rocker plate

- Material characteristics

Mechanism casing with grid: Fibreglass-reinforced (10 %) PC
 Mechanism functional cover: PC/ABS
 Supporting base: fibreglass-reinforced PA (60%)

Halogen-free
 UV resistant

Self-extinguishing: 650°C/30 s

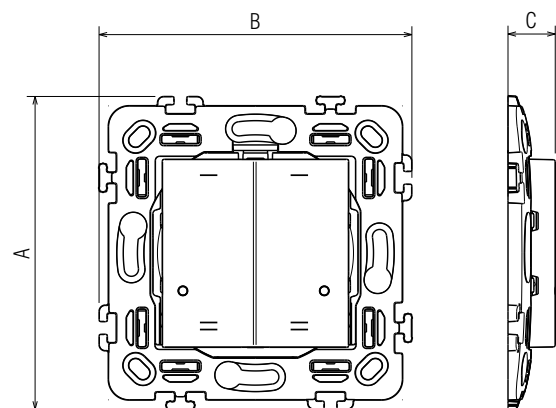
- Electrical characteristics

Powered by a CR2032 - 3 V lithium battery (supplied)
 Battery life: 8 years for 10 activations a day
ZigBee radio technology frequency: 2.4 GHz to 2.4835 GHz
 Power level: REC 70-03: < 20 dBm
 Wireless mesh network, self-adaptive and secure (AES 128), conforming to standard IEEE 802.15.4 (LR-WPAN)

- Climate characteristics

Usage temperature: +5°C to +45°C
 Storage temperature: 0°C to +45°C

Overall dimensions (mm)

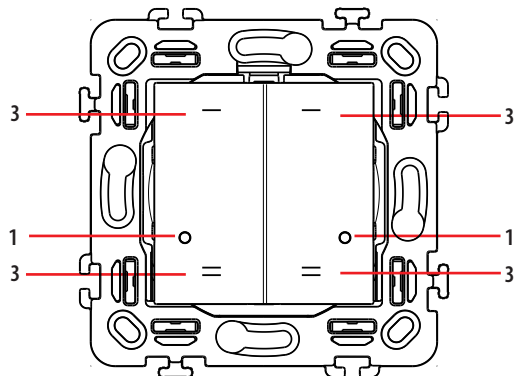


A	B	C
75	75	11,3

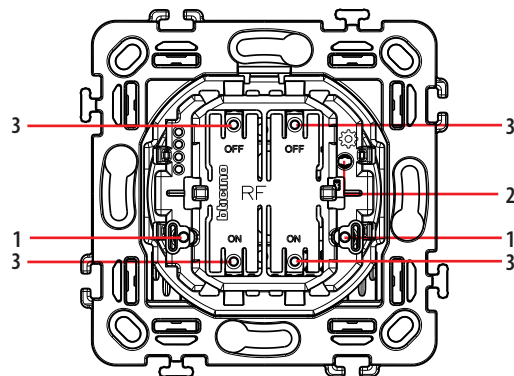
Wireless light double switch

Operation

Front view



Front view without coverkey



Legend

1. LED indicator: useful during installation
2. RESET button used to return to factory settings
3. Control pushbutton

Cleaning

Clean the surface with a cloth.

Do not use acetone, tar-removing cleaning agents or trichloroethylene.

Caution: Always test before using special cleaning products.

The plates must not be painted.



Take care to recycle the battery appropriately.

RAEE/WEEE: bticino.com/disposal