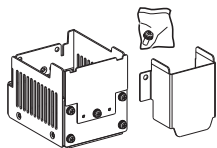
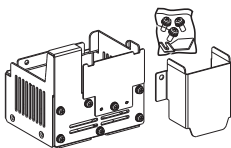




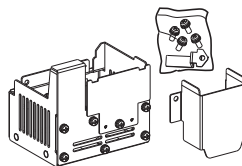
NVE6019903



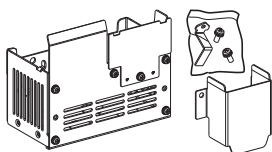
VW3A95811: 2/12 & 3/12
ATV320U02M-C...U07M-C



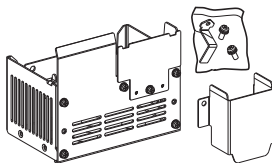
VW3A95812: 2/12 & 4/12
ATV320U11M2C...U22M2C
ATV320U04N4C...U15N4C



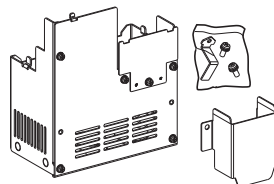
VW3A95813: 2/12 & 5/12
ATV320U11M3C...U22M3C



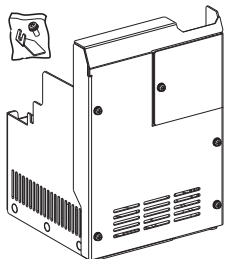
VW3A95814: 2/12 & 6/12
ATV320U22N4C...U40N4C



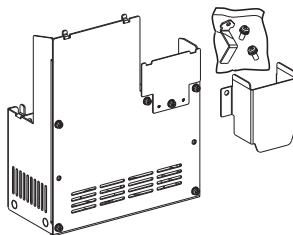
VW3A95815: 2/12 & 7/12
ATV320U30M3C, U40M3C



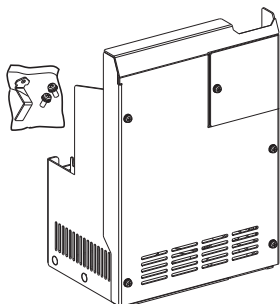
VW3A95816: 2/12 & 8/12
ATV320U55M3C, U75M3C
ATV320U55N4C, U75N4C



VW3A95817: 9/12
ATV320U55N4B...U75N4B



VW3A95818: 2/12 & 10/12
ATV320D11M3C, D15M3C
ATV320D11N4C, D15N4C



VW3A95819: 11/12
ATV320D11N4B...D15N4B

DANGER

HAZARD OF ELECTRIC SHOCK, EXPLOSION, OR ARC FLASH

Only appropriately trained persons who are familiar with and understand the contents of this manual and all other pertinent product documentation and who have received safety training to recognize and avoid hazards involved are authorized to work on and with this drive system.

Installation, adjustment, repair and maintenance must be performed by qualified personnel.

- The system integrator is responsible for compliance with all local and national electrical code requirements as well as all other applicable regulations with respect to grounding of all equipment.
- Many components of the product, including the printed circuit boards, operate with mains voltage.
- Only use properly rated, electrically insulated tools and measuring equipment.
- Do not touch unshielded components or terminals with voltage present.
- Motors can generate voltage when the shaft is rotated. Prior to performing any type of work on the drive system, block the motor shaft to prevent rotation.
- AC voltage can couple voltage to unused conductors in the motor cable. Insulate both ends of unused conductors of the motor cable.
- Do not short across the DC bus terminals or the DC bus capacitors or the braking resistor terminals.
- Before performing work on the drive system:
 - Disconnect all power, including external control power that may be present. Take into account that the circuit breaker or main switch does not de-energize all circuits.
 - Place a "Do Not Turn On" label on all power switches related to the drive system.
 - Lock all power switches in the open position.
 - Wait 15 minutes to allow the DC bus capacitors to discharge.
 - Follow the instructions given in the chapter "Verifying the Absence of Voltage" in the installation manual of the product.
- Before applying voltage to the drive system:
 - Verify that the work has been completed and that the entire installation cannot cause hazards.
 - If the mains input terminals and the motor output terminals have been grounded and short-circuited, remove the ground and the short circuits on the mains input terminals and the motor output terminals.
 - Verify proper grounding of all equipment.

Failure to follow these instructions will result in death or serious injury.

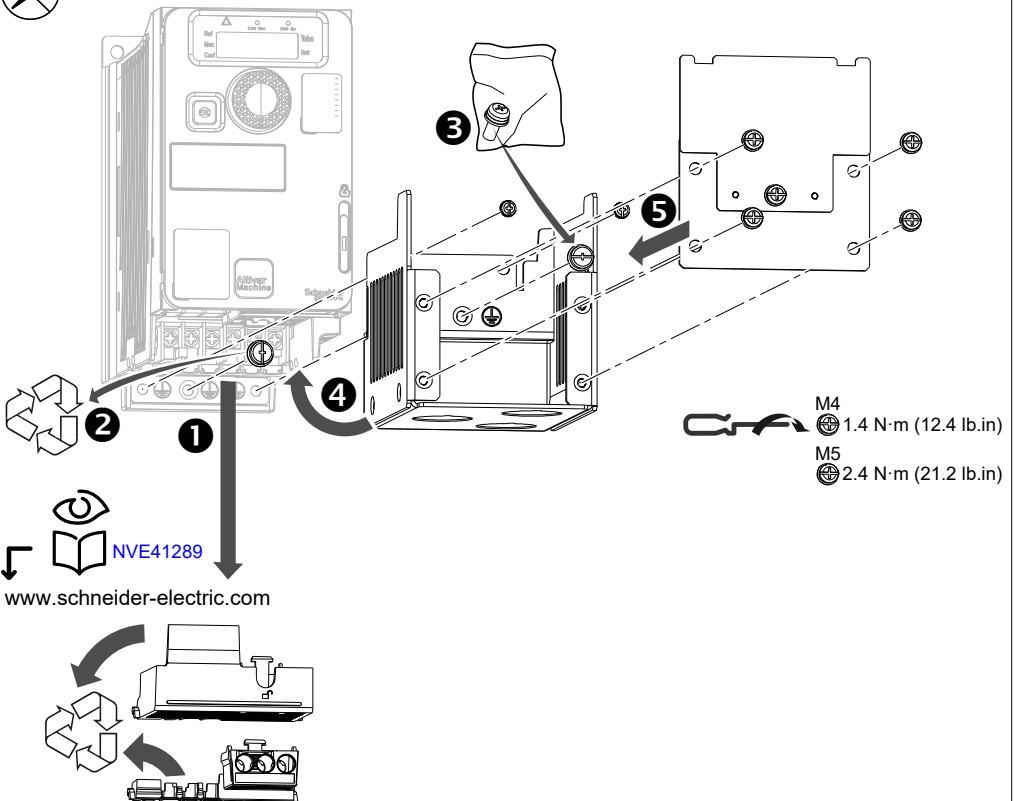
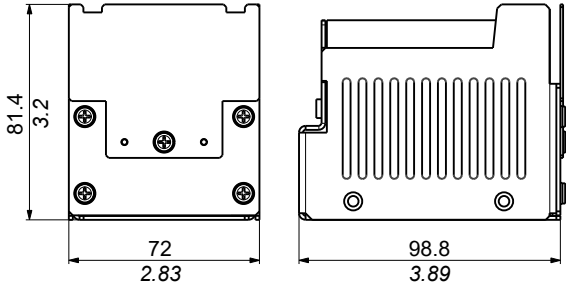
Electrical equipment should be installed, operated, serviced, and maintained only by qualified personnel.

No responsibility is assumed by Schneider Electric for any consequences arising out of the use of this product.

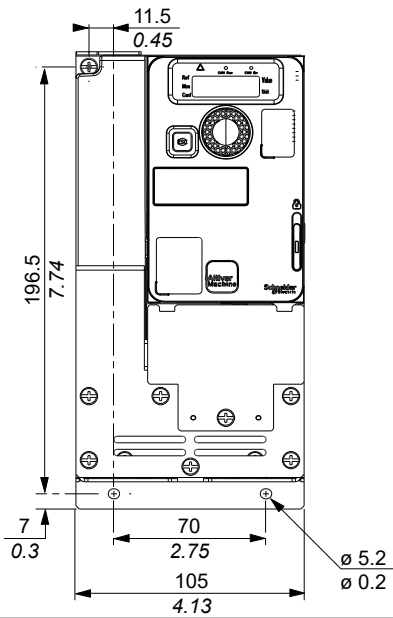
© 2019 Schneider Electric. All Rights Reserved.

mm
in.

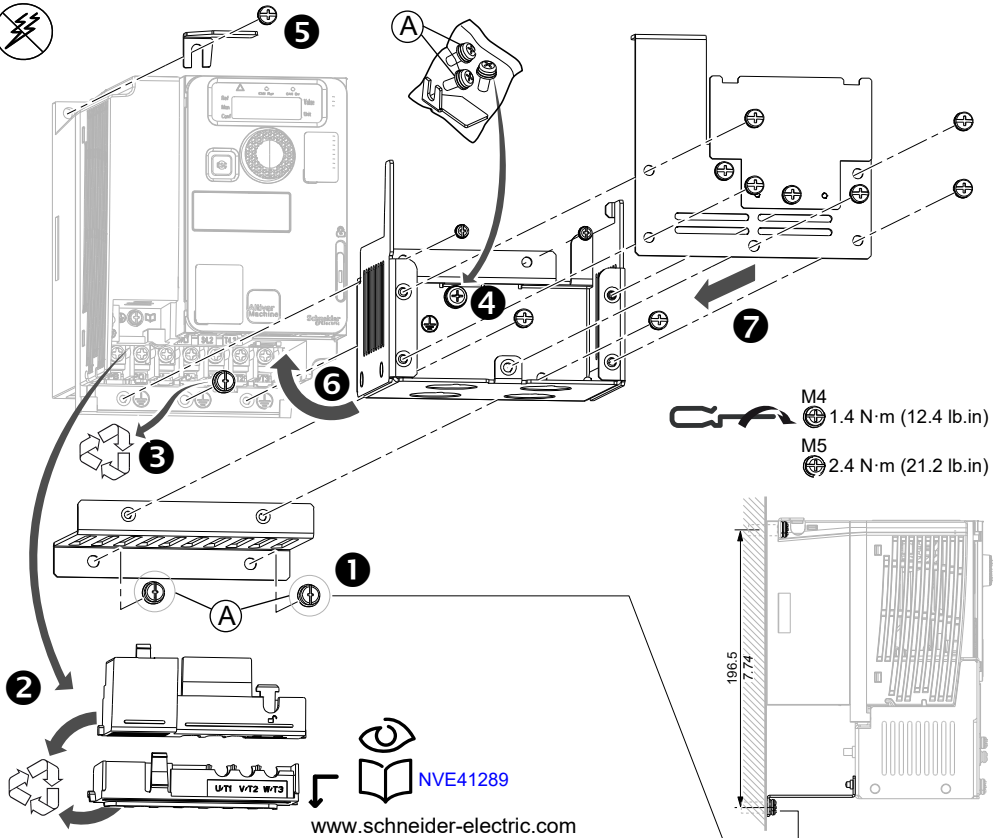
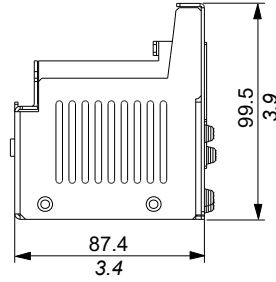
VW3A95811:
ATV320U02M2C...U07M2C
Frame Size 1C



mm
in.

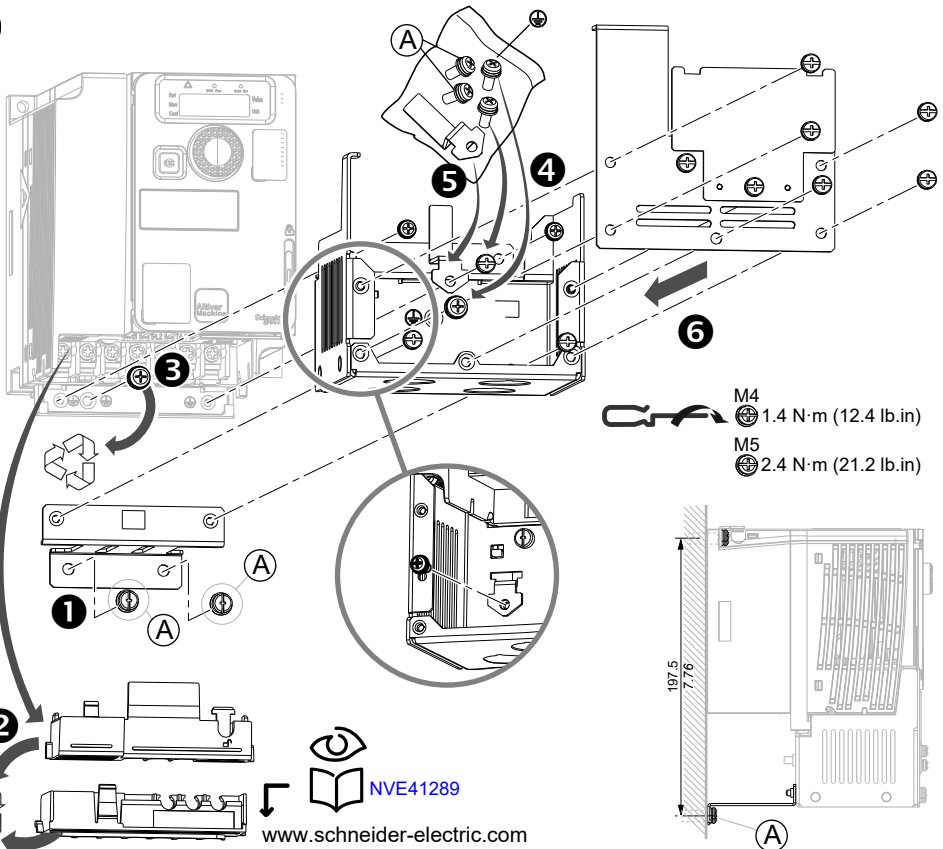
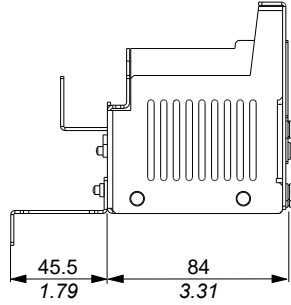
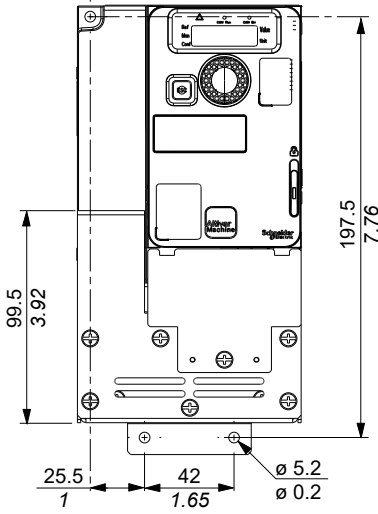


VW3A95812:
ATV320U11M2C...U22M2C
ATV320U04N4C...U15N4C
Frame Size 2C



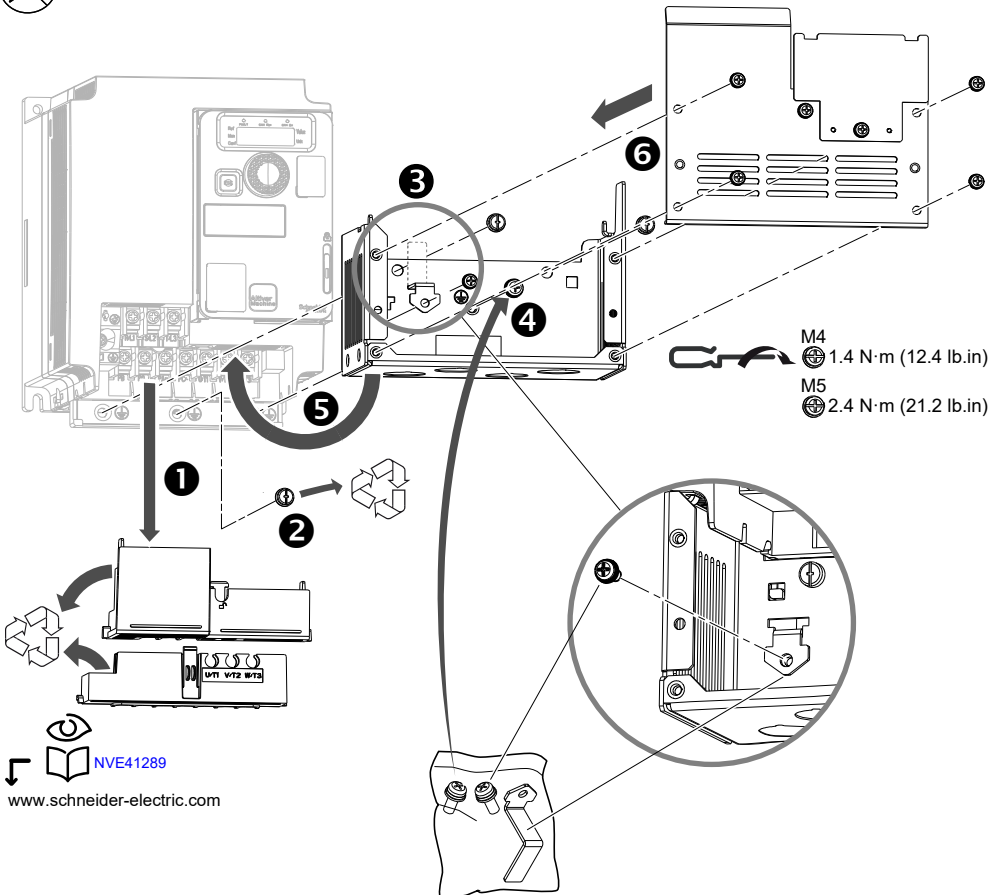
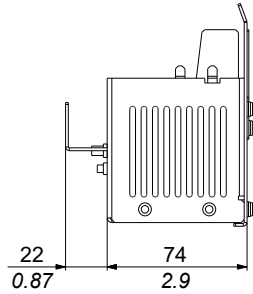
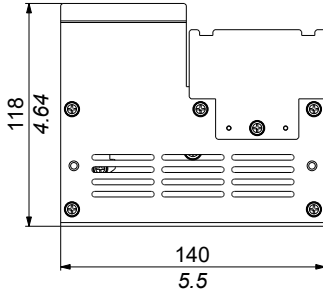
mm
in.

VW3A95813:
ATV320U11M3C...U22M3C
Frame Size 2C



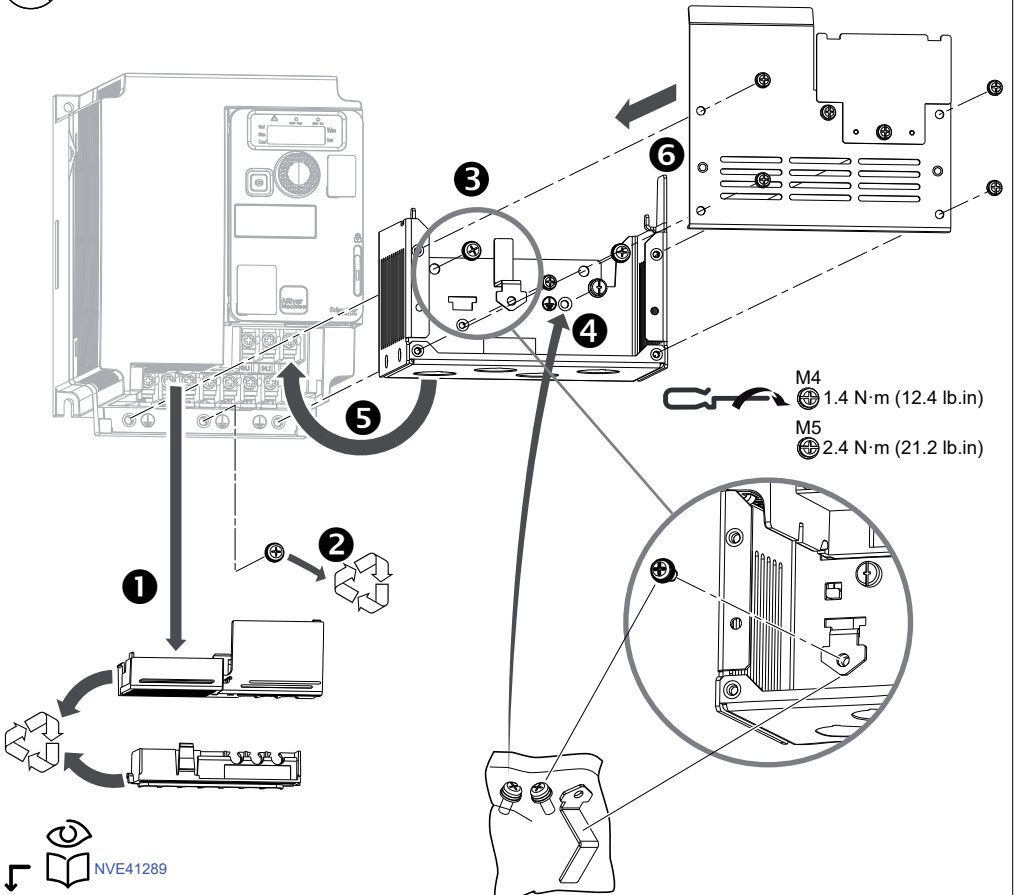
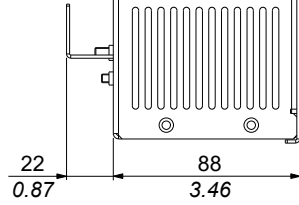
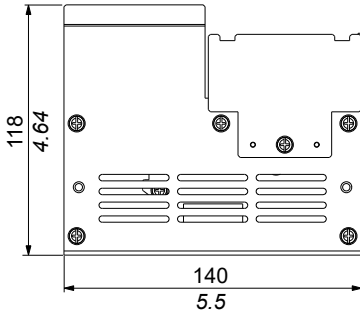
mm
in.

VW3A95814:
ATV320U22N4C...U40N4C
Frame Size 3C



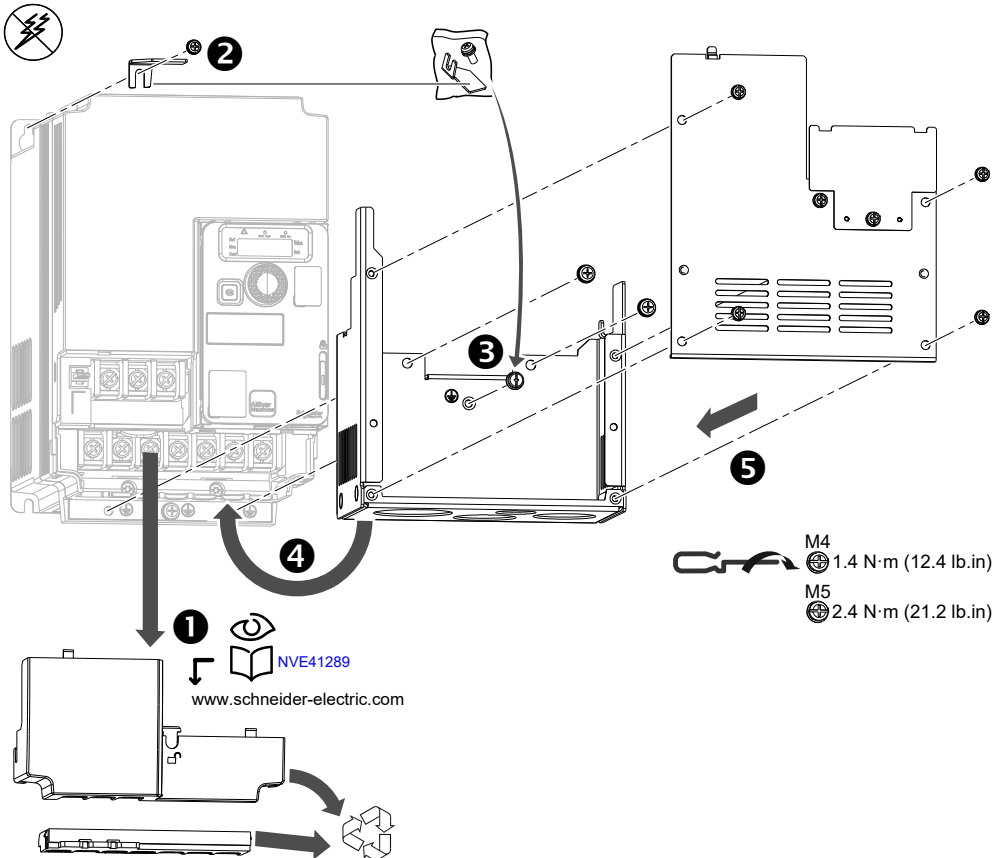
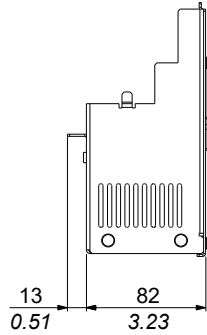
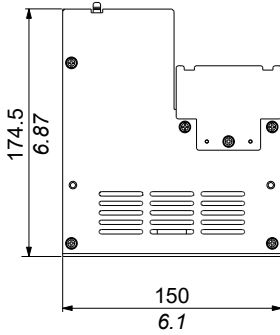
mm
in.

VW3A95815:
ATV320U30M3C
ATV320U40M3C
Frame Size 3C



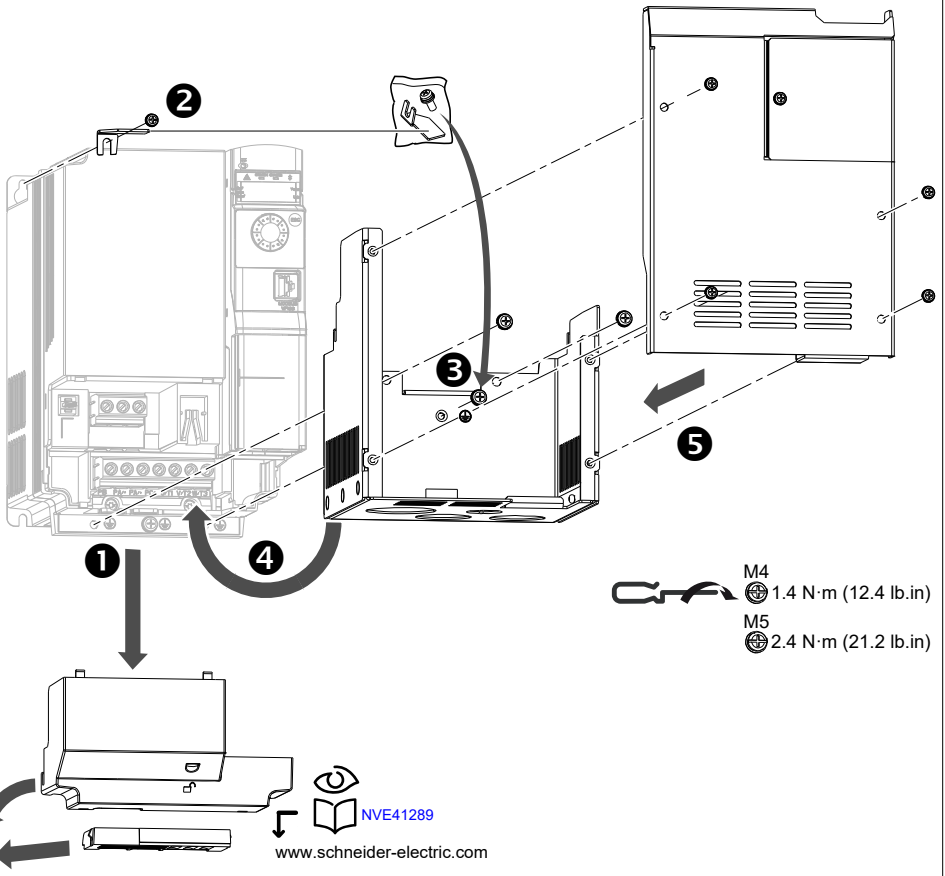
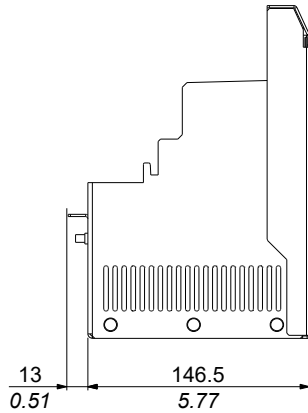
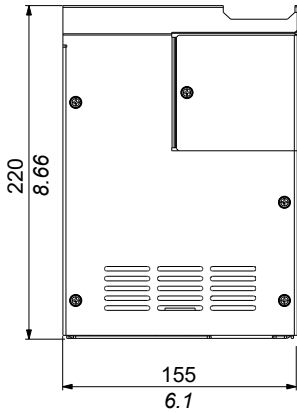
mm
in.

VW3A95816:
ATV320U55M3C...U75M3C
ATV320U55N4C, U75N4C
Frame Size 4C



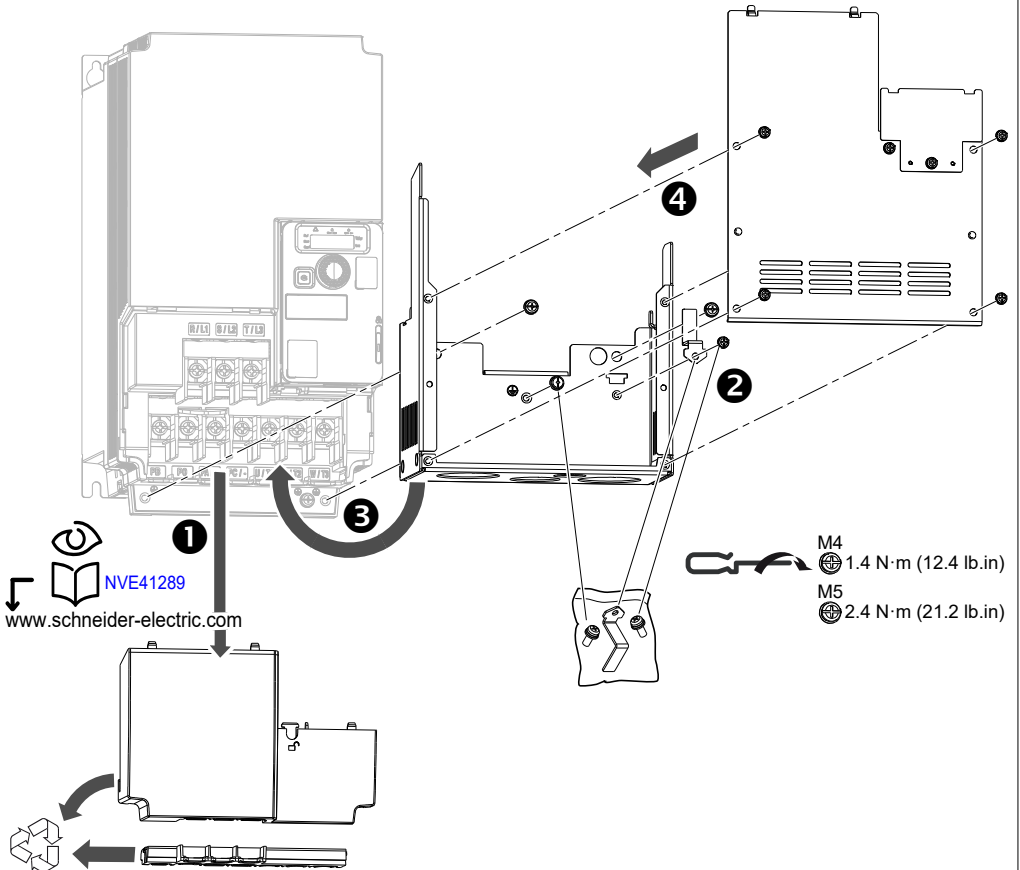
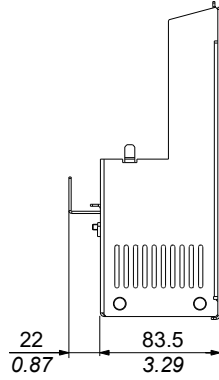
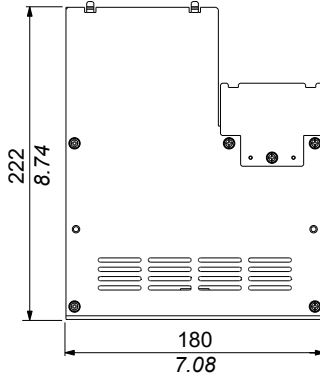
mm
in.

**VW3A95817:
ATV320U55N4B...U75N4B
Frame Size 4B**



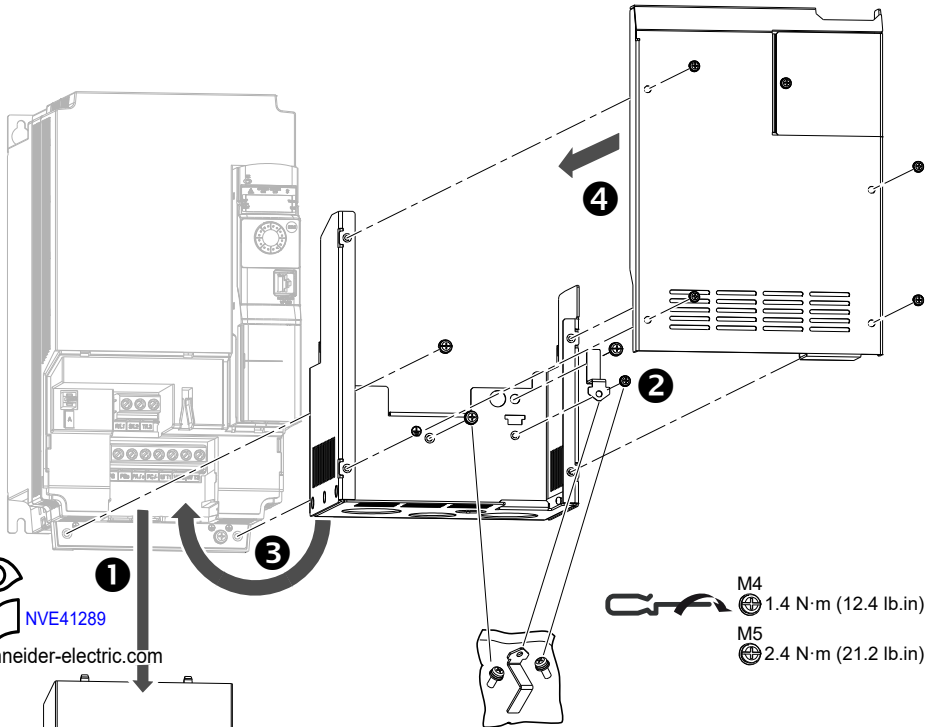
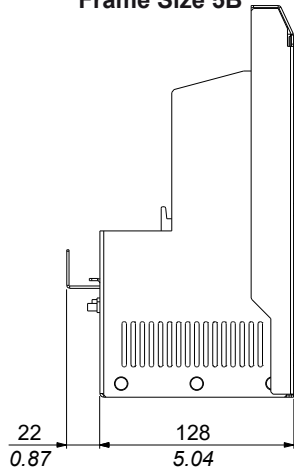
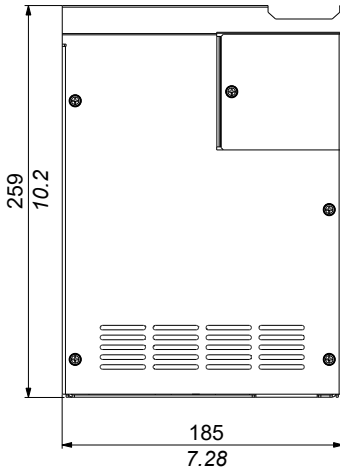
mm
in.


VW3A95818:
ATV320D11M3C, D15M3C
ATV320D11N4C, D15N4C
Frame Size 5C



mm
in.

VW3A95819:
ATV320D11N4B...D15N4B
Frame Size 5B



 NVE41289
www.schneider-electric.com

