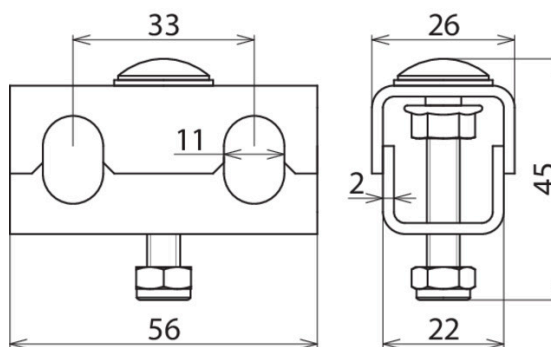


**PAK 70 M6 EX KB ER (306 206)**



Figure without obligation



Equipotential bonding clamp for cable trays

- Connection only with ring equipotential bonding conductor 70 mm<sup>2</sup>, Part No. 832 292 (tinned copper cable)
- For mounting on the perforated cable tray or on the EB plate (PAP 1 / PAP 2)
- EB clamp to be mounted approx. every 0.5 m

Type	PAK 70 M6 EX KB ER
Part No.	306 206
Material	StSt
Connection to	PAP 1 EX KB ER or PAP 2 EX KB ER or cable tray or wide span cable tray
Clamping range EB ring conductor	70 mm <sup>2</sup> , Cu/gal Sn
Screw	M6 x 35 mm
Material of screw / nut	StSt
Material No.	1.4301
EX zone	2/22
Weight	71 g
Customs tariff number	85389099
GTIN	4013364336780
PU	50 Stk

We reserve the right to introduce changes in performance, configuration and technology, dimensions, weights and materials in the course of technical progress. The figures are shown without obligation.