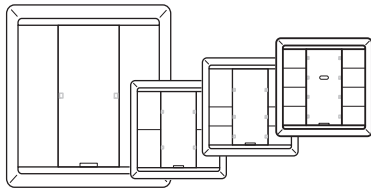


Push-button Plus

Artec/Antik/Tracent
Operating instructions



Artec/Antik/Tracent



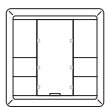
Push-button, 1-gang plus
Art. no. MTN6280..

Artec/Antik/Tracent



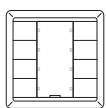
Push-button, 2-gang plus
Art. no. MTN6281..

Artec/Antik/Tracent



Push-button, 3-gang plus
Art. no. MTN6282..

Artec/Antik/Tracent



Push-button, 4-gang plus
Art. no. MTN6283..

Artec/Antik/Tracent



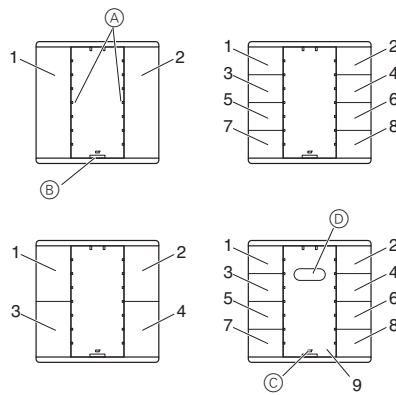
Push-button, 4-gang plus with IR receiver
Art. no. MTN6284..

Getting to know the push-button

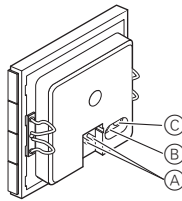
The KNX push-button provides you with three (1-gang push-buttons), five (2-gang push-buttons), seven (3-gang push-buttons) or nine (4-gang push-buttons) operating surfaces.

The push-buttons can be set to perform various functions, allowing you, for example, to switch lighting on and off or dim it, control the blinds or retrieve stored scenes.

Push-buttons with IR receiver also allow you to operate each key on the push-button using a Schneider remote control or another IR remote control.



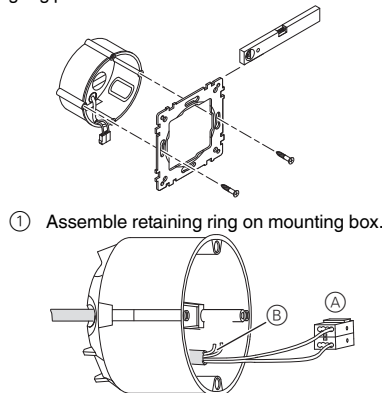
- (A) Status LEDs (next to the keys)
- (B) Operating LED
- (C) IR LED
- (D) IR sensor
- 1-9 Operating surfaces (depending on the push-button type; the sequence corresponds to the addressing in the application software)



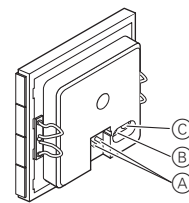
- (A) Bus connection
- (B) Programming LED
- (C) Programming button

How to install the push-button

You need a frame Artec/Antik/Tracent to mount the push-button.
The description which follows shows the installation of a 2-gang push-button. Installation of the 1-gang and 4-gang push-button module is carried out in the same way.



- ① Assemble retaining ring on mounting box.
- ② Connect the red bus wire to the red terminal (+) and the black one to the dark grey terminal (A) (-).
The screen and the stability wire, as well as the white and yellow cores of the bus line (B), are not required.
- ③ Insulate the screen and stability wires and both cores and place them in the mounting box.



- ④ Insert the bus terminal into the connection of push-button (A).
- ⑤ Insert the push-button into the frame.
- ⑥ Attach the push-button with frame onto the retaining ring. Make sure that the push-button clicks into place.

How to operate the push-button



DANGER

Risk of fatal injury from electrical current.
All work carried out on the unit may only be performed by skilled electricians. Observe the regulations valid in the country of use, as well as the valid KNX guidelines.

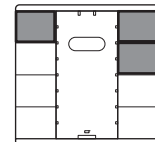
- ① Load the physical address into the push-button module from the ETS via the KNX.
- ② Set the desired configuration for the push-button module in the ETS, and transfer the configuration into the push-button module via the KNX.

Make a note of the assignment in the "Push-button assignment" table, last section.

How to operate the push-button by remote control

Push-buttons with IR receiver also allow you to operate each key on the push-button using an IR remote control. When using a remote control, the remote control keys are already assigned (see the operating instructions for the remote control).

If using another IR remote control, the push-button must be taught first.



- ① Press and hold the two uppermost keys on the right and the uppermost key on the left of the push-button, until all the status LEDs flash
- ② Press the key to be taught on the push-button. The status LED of this key will light up continuously
- ③ Repeatedly press the IR remote control key to be taught for about 1 second until all status LEDs on the push-button light up continuously. Shortly afterwards, all status LEDs flash again and you can then teach in other keys.
When you have finished teaching in the keys you need, the teaching procedure ends automatically after about 10 seconds.

The function of the taught-in push-button key can now also be activated using the taught-in IR remote control key.

If no key is operated for about 30 seconds after this, the teaching procedure will be terminated automatically. If the teaching procedure is interrupted, the IR LED only will light up for about 2 seconds. Any existing assignments of remote control keys to this key will then be deleted.

You can use most commercially available IR remote controls. In individual cases, however, an IR remote control key may not work with the push-button.

Technical data

Initialisation: Due to the telegram rate limit, telegrams can only be created after a minimum of 17 sec has elapsed since initialisation.

Ambient temperature

Operation: -5 °C to +45 °C

Storage: -25 °C to +55 °C

Transport: -25 °C to +70 °C

Max. humidity: 93 % relative humidity, no moisture condensation

Type of protection: IP 20

Schneider Electric Industries SAS

If you have technical questions, please contact the Customer Care Center in your country.

www.schneider-electric.com

This product must be installed, connected and used in compliance with prevailing standards and/or installation regulations. As standards, specifications and designs develop from time to time, always ask for confirmation of the information given in this publication.