

ANTARA

WOJP00724

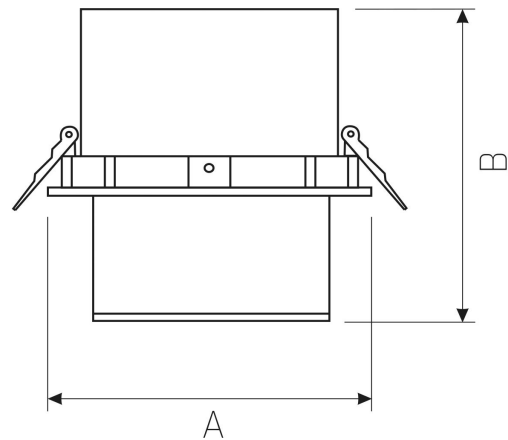
LED luminaire ANTARA, with a power of 35 W, high light efficacy 135 lm/W. It is made of high-quality components, supported by a 5-year warranty. Lights up with neutral light - the most universal colour (4000K), which is suitable for the rooms we use on a daily basis, ensuring comfort during everyday activities. Narrow beam angle 40° gives directional light so that selected objects or surfaces can be better exposed. Designed for recessed mounting.



| | | | |
|--------------------|---------------|---------------------------|----------------------|
| Power | 35 W | Voltage | 230 V |
| Colour temperature | 4000 K | Colour of light | Neutral white |
| Beam angle | 40 ° | Degree of protection (IP) | IP20 |

Technical data

| | |
|------------------------------|----------------|
| Code | WQJP00724 |
| Power | 35 W |
| Nominal current | 167.4 mA |
| Voltage | 230 V |
| Energy consumption | 35 kWh/1000h |
| Frequency | 50HZ Hz |
| Protection class | II |
| Power supply included | + |
| Manufacturer of power supply | TRIDONIC |
| Power factor | 0.93 |
| Useful luminous flux* | 4725 lm (360°) |
| Luminous flux** | 3500 lm (360°) |
| Lamp efficacy | 135 lm/W |
| Colour temperature | 4000 K |
| Colour of light | Neutral white |
| Beam angle | 40 ° |
| RA | 80 |
| Light source included | + |
| Producer of LED diodes | CREE |
| Uniformity of color SDCM max | 3 |
| Dimmable | OPC |
| Working temperature range | -20/+40 ° |
| Lifespan | 50000 h |
| Housing material | Aluminum |
| Degree of protection (IP) | IP20 |
| Colour | White |
| Dimension (AxBxC) | 205x140 mm |
| Mounting hole | Ø185 mm |
| For use | Inside |
| Assembly method | Recessed |
| Application | Inside |
| Made in | PL |



Related documents



 Declaration of Conformity



 Photometric file