

NOCTIS LUX 3

SLI029047CW_PW



See
more

Floodlight NOCTIS LUX 3, with a power of 100 W. It has a very high degree of protection IP65, providing protection against the ingress of dust and water jets. IK07 class provides impact resistance. It shines with a cold light (6000K). Designed for surface mounting.

IP65

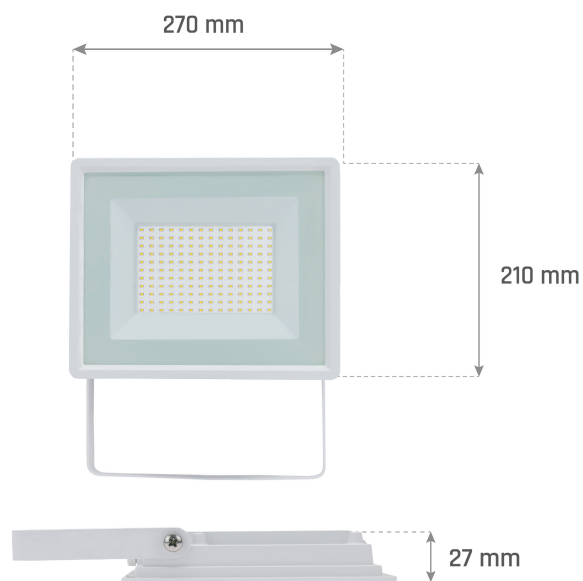
IK07



| | | | |
|-----------------|-----------------------|---------------------------|---------------|
| Power | 100 W | Voltage | 230 V |
| Luminous flux* | 9400 lm (120°) | Colour temperature | 6000 K |
| Colour of light | CW | Beam angle | 100 ° |
| IK | 07 | Degree of protection (IP) | IP65 |

Technical data

| | |
|------------------------------|-----------------|
| Code | SLI029047CW_PW |
| Power | 100 W |
| Nominal current | 435 mA |
| Voltage | 230 V |
| Energy consumption | 100 kWh/1000h |
| Frequency | 50HZ Hz |
| Protection class | I |
| Power supply included | + |
| Power factor | 0.9 |
| Useful luminous flux* | 9400 lm (120°) |
| Luminous flux** | 9400 lm (360°) |
| Lamp efficacy | 94 lm/W |
| Colour temperature | 6000 K |
| Colour of light | CW |
| Beam angle | 100 ° |
| RA | >70 |
| Uniformity of color SDCM max | 5 |
| Dimmable | No |
| Working temperature range | -20/+40 ° |
| Lifespan | 17000 h |
| Housing material | Aluminum, GLASS |
| IK | 07 |
| Degree of protection (IP) | IP65 |
| Colour | White |
| Dimension (AxBxC) | 270x210x27 mm |
| For use | Outside |
| Assembly method | On the ceiling |
| Application | EXT |
| Made in | PRC |



Related documents



 Declaration of Conformity



 Photometric file

