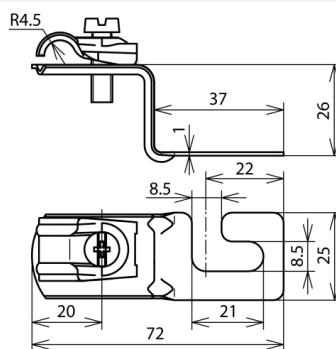


DLH DQ 6.10 WPRO5 8 V2A (202 906)



Figure without obligation



Type	DLH DQ 6.10 WPRO5 8 V2A
Part No.	202 906
Application note	for ridge and roof conductors
Material of roof conductor holder	StSt
Type of conductor holder	DEHNquick
Material of conductor holder	StSt
Conductor support Rd	6-10 mm
Conductor routing	fixed
Hole Ø	8.4 mm
Fixing possibility	for clamping at the screw head
Type of roofing	corrugated roof sheetings profile 5 (distance 177mm) profile 8 (distance 130mm)
Weight	32 g
Customs tariff number	85389099
GTIN	4013364022102
PU	50 Stk

We reserve the right to introduce changes in performance, configuration and technology, dimensions, weights and materials in the course of technical progress. The figures are shown without obligation.