

Smart Connect Box

<table border="1" style="margin: auto;"> <tr> <td style="padding: 5px;">Item Code</td> <td style="padding: 5px;"></td> </tr> <tr> <td style="border-top: 1px solid black; border-bottom: 1px solid black; text-align: center;">560000005700</td> <td style="border-top: 1px solid black; border-bottom: 1px solid black; text-align: center;">0.206kg</td> </tr> </table>	Item Code		560000005700	0.206kg	
Item Code					
560000005700	0.206kg				

Type	A (mm)	B (mm)	H (mm)
OP-Smart Connect Box	90	90	36.5

①

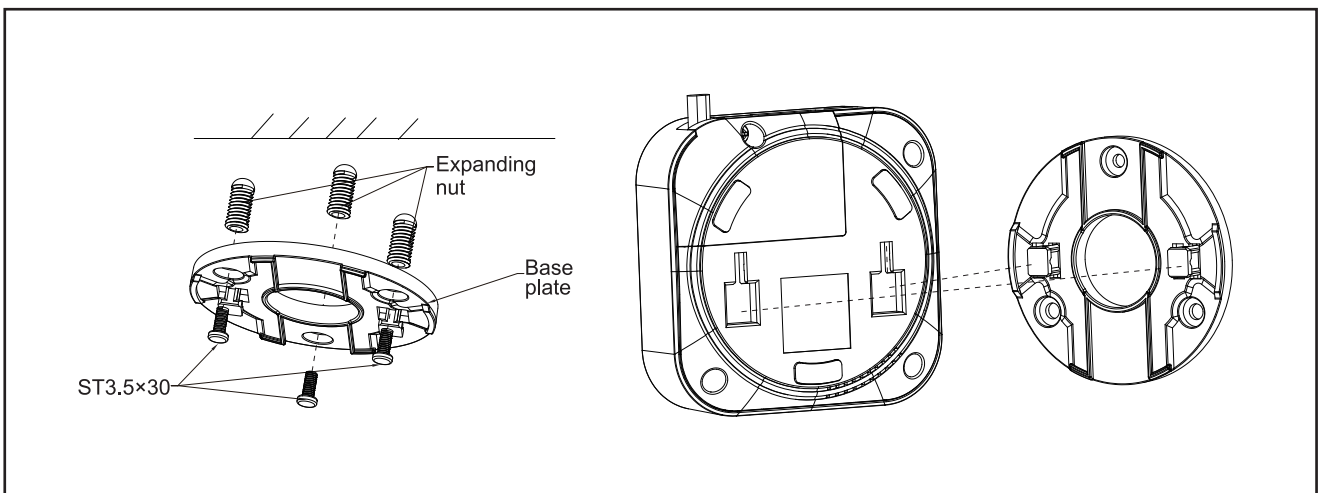
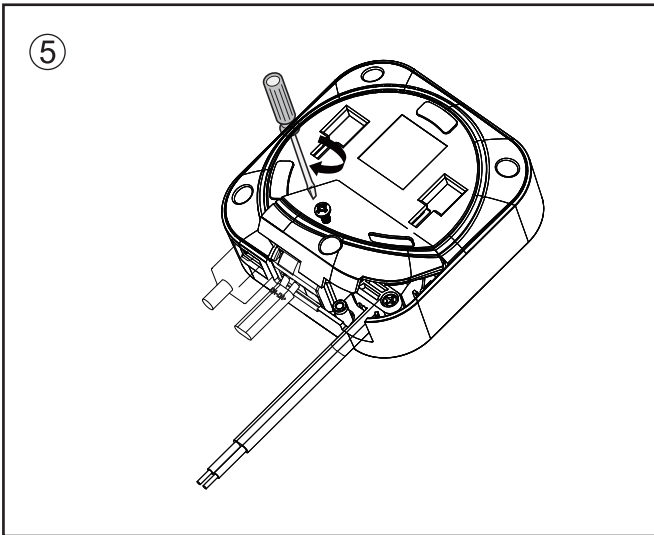
②

③

④

DALI cable standard

A(mm)	C(AWG)
5-7	2×24-2×12



Bluetooth Operating frequency: 2402-2480MHz
 Bluetooth Max. Transmission Power: <20dBm



In case of damage to the wires, it has to be replaced only by the manufacturer, distributor or an expert to avoid risks.
 Zur Vermeidung von Risiken müssen defekte Leitungen ausschließlich vom Hersteller, Inverkehrbringer oder Fachmann ausgetauscht werden.

