

AK 6.10 KSV FER S KBF3 18 V2A (372 169)

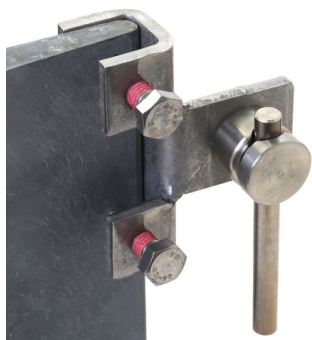
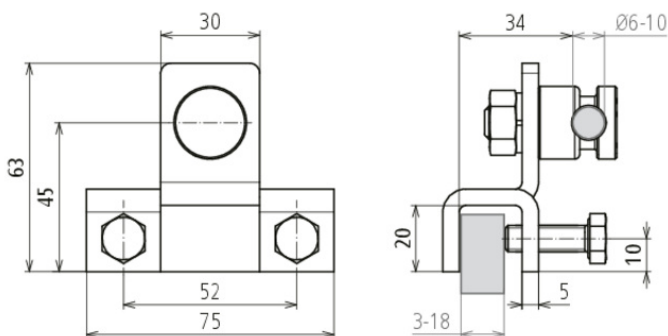
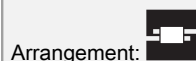


Figure without obligation



Heavy design; for connection to steel structures.
 All connections secured against self-loosening:
 – Connection to the steel structure using adhesive-coated screws
 – Round conductor connection using spring washer
 Suitable for use in hazardous area zone 2/22.



| Type | AK 6.10 KSV FER S KBF3 18 V2A |
|---|---|
| Part No. | 372 169 |
| Clamping range | 3-18 mm |
| Material of clamp | StSt |
| Clamping range Rd | 6-10 mm |
| Screw |  M8 x 25 mm |
| Material of screw / nut | StSt |
| Version | with spring washer |
| Lightning current carrying capability (10/350 µs) |  ^{*)} |
| Standard | EN 62561-1 |
| Weight | 280 g |
| Customs tariff number | 85389099 |
| GTIN | 4013364463660 |
| PU | 10 Stk |

^{*)} For exact assignment, see test certificate.

We reserve the right to introduce changes in performance, configuration and technology, dimensions, weights and materials in the course of technical progress. The figures are shown without obligation.