

Product End-of-Life Instructions

Product Range: Power Logic™

Marketing Model/Name: METSEPM5100, METSEPM5110, METSEPM5111, METSEPM5310, METSEPM5330 & METSEPM5331.

Purpose:

The product family must be disposed according to the legislation of the country. This document is intended for use by end of life recyclers or treatment facilities. It provides the basic information to assure an appropriate end of life treatment for the components and materials of the product.

Note :

This product family is in the scope of EU directive 2002/96/EC, Waste Electrical and Electronic Equipment (WEEE).



Size in mm:

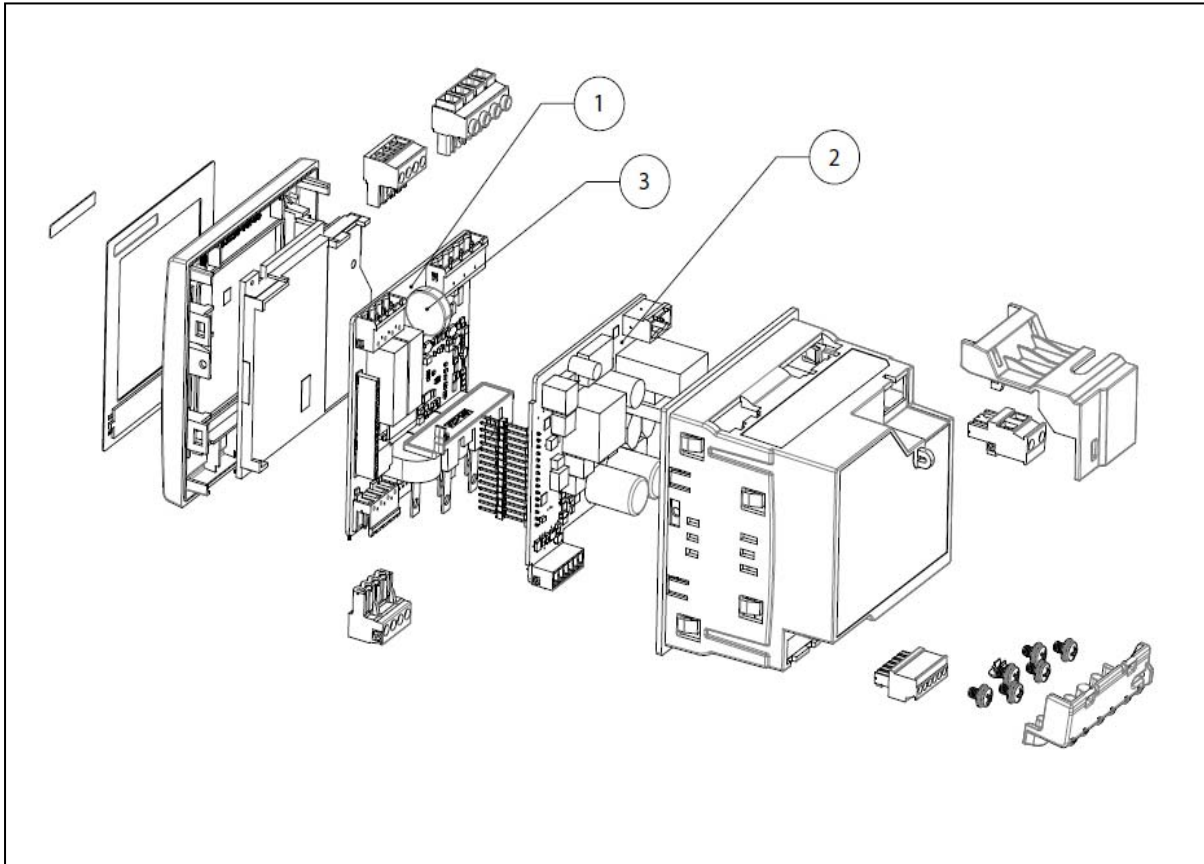
H x L x D in mm: **96 x 96 x 92 mm**

Weight in g: **484 g**

Operations recommended for the end of life treatment

There are several steps to process the products at the end of life so as to recover components, materials or energy :
 Reuse → Separation for special treatment → Other dismantling → Shredding.

The components of the products that optimize the recycling performances are listed, identified and located hereunder.



Number on drawing	Components	Comment	
Components listed for special treatment which improves the recycling performances			
1	Printed circuit boards	140.25 g	PCBA-AKBAR-53XX-POWERSUPPLY-WHETTING
2	Printed circuit boards	138.71	PCBA-AKBAR-53XX-RS485-RELAY
3	Poly-carbonmonofluoride Lithium coin battery	1.5 g	BAT POLY CF BTN 3V 120mAh 60°C

Schneider Electric SA
 43-45, boulevard Franklin Roosevelt
 F-92500 Rueil-Malmaison Cedex (France)
 Tel.: +33 (0) 1 41 29 70 00
 www.schneider-electric.com

The version of the Guide used to create the document: End of Life
 Instruction Drafting Guide of Schneider Electric version V1

ENVEOLI1305025_V2

Publication date : 17/10/2013