

Use

It is equipped with 2 buttons for activating Wake up / Sleep scenarios. Scenarios can be customized by the Home + Control app. Surface installation with repositionable stickers (supplied) or onto a flush mounting box. Integrated LED for low battery indication. Powered by battery 3V type CR2032 (supplied) with an autonomy of 8 years - 2 modules.

Standards and approvals

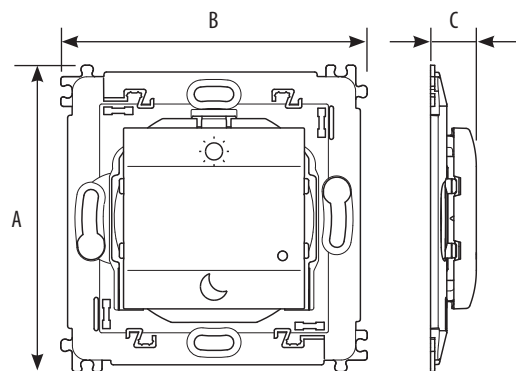
The undersigned, BTICINO, declares that the radio-electric equipment type (N-NT-L4574CW) complies with directive 2014/53/EU. The full text of the EU declaration of conformity is available on the following website: www.bticino.it/red

Range

Designation	Cat. Nos.
Wake up / Sleep wireless control, with battery.	<input type="checkbox"/> N4574CW
Equipped with an LED indicator (configuration) and a RESET button (hidden) used to return to factory settings.	<input type="checkbox"/> NT4574CW
Repositionable self-adhesive fixings supplied.	<input type="checkbox"/> L4574CW

Colours code:
 White
 Silver
 Anthracite

Dimensions (mm)



A	B	C
74	74	11

Technical characteristics

- Mechanical characteristics

Protection against impacts: IK 02
 Protection against solid bodies/liquids: IP 20 without plate and rocker plate

- Material characteristics

Mechanism with grid: Fibreglass-reinforced (10%) PC
 Mechanism functional cover: PC/ABS
 Supporting base: fiberglass-reinforced PA (60%).

Halogen-free
 UV resistant

Self-extinguishing: 650°C/30 s

- Electrical characteristics

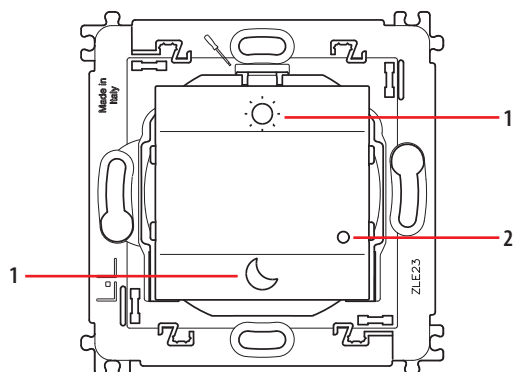
Powered by a CR2032 - 3 V lithium battery (supplied)
 Battery life: 8 years for 10 activations a day
ZigBee radio technology frequency: 2.4 GHz to 2.4835 GHz
 Wireless mesh network, self-adaptive and secure (AES 128), conforming to standard IEEE 802.15.4 (LR-WPAN)
 Power level: < 100 mW

- Climate characteristics

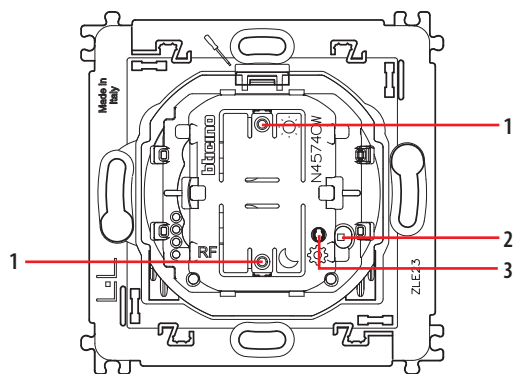
Usage temperature: + 5° C to + 45° C
 Storage temperature: 0° C to + 45°

Operation

Front view



Front view without coverkey



Legend

1. Control pushbutton
2. LED indicator: useful during installation
3. RESET button used to return to factory settings

Care

Clean the surface with a cloth.

Do not use acetone, tar-removing cleaning agents or trichloroethylene.

Resistant to the following products: Hexane (EN 60669-1), methylated spirit, soapy water, diluted ammonia, bleach diluted to 10%, window-cleaning products, pre-impregnated wipes.

Caution: Always test before using special cleaning products.

The plates must not be painted.



Take care to recycle the battery appropriately.

RAEE/WEEE: bticino.com/disposal