

PRODUCT DATASHEET

LEDstixx USB Silver

LEDSTIXX USB | Light bar, dimmable, multiple mounting options and recharging via USB

Areas of application

- Bathrooms
- Where light is required but a socket is not available



Product benefits

- Very homogenous light
- Multiple mounting options
- Can be removed from the holder for use as a portable light
- Can be rotated and swiveled for optimum illumination

Product features

- Integrated rechargeable lithium battery which can be charged via USB cable
- Dimmable in three steps by repeated switching



TECHNICAL DATA

Electrical data

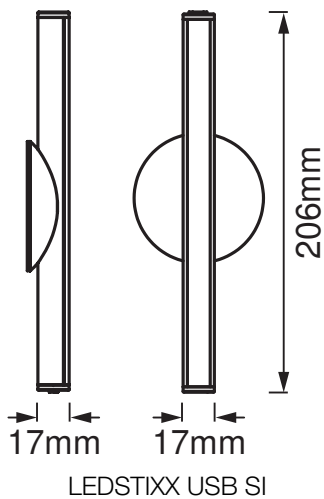
Nominal wattage	2.00 W
Nominal voltage	5 V
Mains frequency	0 Hz
Nominal current	600 mA
Max. number of luminaires per miniature circuit breaker C10	-
Protection class	III
Operating mode	Battery

Photometrical data

Luminous flux	150 lm
Luminous efficacy	75 lm/W
Color temperature	4000 K
Light color (designation)	Cool White
Color rendering index Ra	90
Standard deviation of color matching	6 sdcn
Photobiological safety group acc. to EN62778	RG1
Photobiological safety group acc. to EN62471	RG1
Beam angle	110 °

Dimensions & Weight

Length	206.00 mm
Width	17.00 mm
Height	17.00 mm
Product weight	85.00 g



Materials & Colors

Product color	Silver
Housing color	Silver
Body material	Aluminum
Cover material	Polycarbonate (PC)
Mercury content	0.0 mg

Application & Mounting

Ambient temperature range	-10...+35 °C
Temperature range at storage	-10...+55 °C
Type of connection	USB
Type of protection	IP44
Dimmable	Yes
Type of dimming	3 DIM
Mounting type	Surface
Mounting location	Wall
Application environment	Indoor
Adjustable	Yes
With light source	Yes

Lifespan

Lifespan L70/B50 at 25 °C	30000 h ¹⁾
---------------------------	-----------------------

1) t[h]: L70 / B50 @ 25 °C (Ta), t[h]: L80 / B10 @ 25 °C (Ta), t[h]: L90 / B10 @ 25 °C (Ta)

BATTERY

Type of Battery	Lithium ion
Battery size [GMS]	Others
Number of included batteries	1
Nominal voltage of battery	3.7 V
Nominal capacity of battery	800 mAh

Certificates & Standards

Standards	CE / EAC / UKCA
Replaceable light source (EPREL)	Not replaceable


EQUIPMENT / ACCESSORIES

- Complete mounting and connecting accessories included

Safety advice

- This product is not a toy. It should not be left unattended in the hands of children or operated by children.
- Not designed as a replacement for conventional lighting in private household.
- Battery Warning: Keep out of reach for children. Swallowing can lead to chemical burns, perforation of soft tissue, and death. Severe burns can occur within 2 hours of ingestion. Seek medical attention immediately.
- If the battery compartment (if applicable) does not close securely, stop using the product and keep it away from children. If you think batteries might have been swallowed or placed inside any part of the body, seek immediate medical attention.
- Please avoid: Maximal ambient temperature: +35 °C. Replacement of a battery with an incorrect type that can defeat safeguard (for example, in the case of some lithium battery types). Altitude during operation: 2000 m. Disposal of a battery into fire or a hot oven, or mechanically crushing or cutting of a battery, that can result in an explosion.

DOWNLOAD DATA

Documents and certificates	Document name
 Declarations of conformity	LEDSTIXX USB SI

LOGISTICAL DATA

Product code	Packaging unit (Pieces/Unit)	Dimensions (length x width x height)	Gross weight	Volume
4058075399723	Blister 1	140 mm x 32 mm x 400 mm	111.00 g	1.79 dm ³

Product code	Packaging unit (Pieces/Unit)	Dimensions (length x width x height)	Gross weight	Volume
4058075399730	Shipping box 6	408 mm x 206 mm x 152 mm	1027.00 g	12.78 dm ³

The mentioned product code describes the smallest quantity unit which can be ordered. One shipping unit can contain one or more single products. When placing an order, for the quantity please enter single or multiples of a shipping unit.

DISCLAIMER

Subject to change without notice. Errors and omission excepted. Always make sure to use the most recent release.