

FUSERBLOC uR

Fuse combination switches for protecting power semiconductors

50 to 1250 A



fuser_437.eps

The solution for

- > Energy
- > Industrial

Strong points

- > Limiting the short-circuit current
- > Optimum safety
- > High breaking capacity

Conformity to standards

- > IEC 60947-3
- > EN 60947-3

Function

FUSERBLOC uR are multipole fuse combination switches with manual right and front operating and high-speed fuses.

When used in combination with high-speed fuses (uR curve), they can break or make under load, provide safe isolation and protection from overcurrent for power semiconductors (variable drives, inverters, etc.) up to 1250 A.

This range includes versions for direct and external operation, 2, 3 and 4 poles and up to 1250 A.

Advantages

Limiting the short-circuit current

This fuse solution for limiting the shortcircuit current is by far the most efficient and economical on the market (uR fuses).

High breaking capacity

High breaking capacity fuses (300 kA rms) provide protection from overloads and short circuits.

Optimum safety

Double phase breaking (upstream and downstream from the fuse) and fully visible isolation keep people and equipment protected from overcurrent.

General characteristics

- For high-speed fuses up to 1250 A.
- Up to 690 VDC in AC22B and 1250 VDC in DC20.
- Cylindrical, knife type, K50 and K110 uR fuses up to 1250 VDC off load.

FUSERBLOC for 690 VAC uR cylindrical fuses

Features

FUSERBLOC CD 50 A for fuse size 14 x 51									
Fuse rating (A)	10	12	16	20	25	32	40	50	
Max. I for the FUSERBLOC (A)	10	12	16	20	25	29	36	40	
FUSERBLOC CD 125 A for fuse size 22 x 58									
Fuse rating (A)	20	25	32	40	50	63	80	100	
Max. I for the FUSERBLOC (A)	20	25	32	40	50	63	71	85	

References

Front or right-side external controls

Rating (A) / Fuse / Frame	N° of Poles	Body	External front handle	External side handle	Shaft for external operation	Auxiliary contact pre-break and signalisation
50 A / 14 x 51 11	2 P	3831 2005	Black IP55 1411 2111	Black IP55 1415 2111	320 mm 1400 1032	1 contact NC 3999 0701 1 contact NO 3999 0702
	3 P	3831 3005	Red/ Yellow IP65 1414 2111	Red / Yellow IP65 1418 2111		
	4 P	3831 6005				
125 A / 22 x 58 13	2 P	3831 2011	Black IP55 1421 2111	Black IP55 1425 2111		
	3 P	3831 3011	Rouge IP65 1424 2111	Red/ Yellow IP65 1428 2111		
	4 P	3831 6011				

Accessories

For other accessories, see FUSERBLOC.

FUSERBLOC uR

Fuse combination switches for protecting power semiconductors

50 to 1250 A

FUSERBLOC for 690 VDC uR solid knife-blade fuses DIN 43620

Features

FUSERBLOC 160 A for fuse size 000 and 00																	
Fuse rating (A)	10	16	20	25	32	40	50	63	80	100	125	160	200	250	315		
Max. I for the FUSERBLOC (A)	10	16	20	25	32	32	37	44	51	92	105	121	140	140	140		
FUSERBLOC 250 A for fuse size 1*																	
Fuse rating (A)				40	50	63	80	100	125	160	200	250	315	350	400		
Max. I for the FUSERBLOC (A)				40	50	63	80	100	125	155	178	205	210	215	220		
FUSERBLOC 400 A for fuse size 2																	
Fuse rating (A)						200	250	315	350	400	450	500	550	630	700		
Max. I for the FUSERBLOC (A)						120	150	169	210	330	330	340	340	350	350		
FUSERBLOC 630 A for fuse size 3																	
Fuse rating (A)										500	550	630	700	800	900	1000	
Max. I for the FUSERBLOC (A)										360	380	420	450	480	500	510	

References

External right side or front operation

Rating (A) / Fuse / Frame size	N° of Poles	Body	External front handle	External side handle	Shaft for external operation	Auxiliary contact pre-break and signalisation	Fuse protection covers			
160 A / 00 13	2 P	3831 2015	Black IP55 1421 2111	Black IP55 1425 2111	200 mm 1400 1020	1 contact NC 3999 0701 1 contact NO 3999 0702	3990 7015 ⁽¹⁾			
	3 P	3831 3015					3990 8015 ⁽¹⁾			
	4 P	3831 6015					3990 9015 ⁽¹⁾			
160 A / 0 14	2 P	3831 2016					3990 7016 ⁽¹⁾			
	3 P	3831 3016					3990 8016 ⁽¹⁾			
	4 P	3831 6016					3990 9016 ⁽¹⁾			
250 A / 1 15	2 P	3831 2024					Red/ Yellow IP65 1424 2111	Red/ Yellow IP65 1428 2111	320 mm 1400 1032	3990 7024 ⁽¹⁾
	3 P	3831 3024					3990 8024 ⁽¹⁾			
	4 P	3831 6024					3990 9024 ⁽¹⁾			
400 A / 2 16	2 P	3831 2039	3990 7039 ⁽¹⁾							
	3 P	3831 3039	3990 8039 ⁽¹⁾							
	4 P	3831 6039	3990 9039 ⁽¹⁾							
630 A / 3 17	2 P	3811 2063	Black IP65 1433 3111	Black IP65 1437 3111	200 mm 1400 1220	3990 7063 ⁽¹⁾				
	3 P	3811 3063	Red/Yellow IP65 1434 3111	Red/Yellow IP65 1438 3111	320 mm 1400 1232	3890 8063 ⁽¹⁾				
	4 P	3811 6063	3890 9063 ⁽¹⁾							

(1) Terminal shrouds for FUSERBLOC fitted fuse blown microswitch.

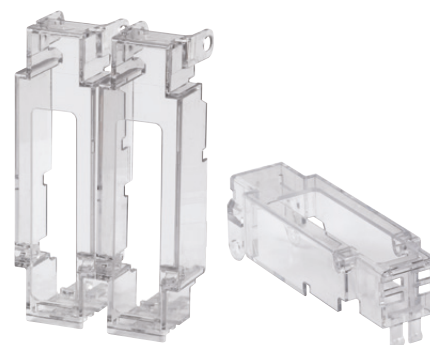
Accessories

Terminal shrouds for FUSERBLOC fitted fuse blown microswitch

Use

Protection against direct contact with live parts situated in the fuse compartment for FUSERBLOC fitted with uR fuses with fuse blown auxiliary contacts.

Current (A)	Fuses ⁽¹⁾	N° of Poles	Option ⁽²⁾	Accessories ⁽³⁾
			(factory fitted) References	(customer fitted) References
160	00	2 P	3990 7015	3999 7015
160	00	3 P	3990 8015	3999 8015
160	00	4 P	3990 9015	3999 9015
160	0	2 P	3990 7016	3999 7016
160	0	3 P	3990 8016	3999 8016
160	0	4 P	3990 9016	3999 9016
250	1	2 P	3990 7024	3999 7024
250	1	3 P	3990 8024	3999 8024
250	1	4 P	3990 9024	3999 9024
400	2	2 P	3990 7039	3999 7039
400	2	3 P	3990 8039	3999 8039
400	2	4 P	3990 9039	3999 9039
630	3	3 P	3890 8063	3899 8063
630	3	4 P	3890 9063	3899 9063



access_221_la

(1) For fuses, see "uR fuses 10 to 2000 A".

(2) If ordered at the same time as the standard device.

(3) If ordered later.

For other accessories, see FUSERBLOC.

FUSERBLOC for 690 V AC uR fuses type K/50

Features

FUSERBLOC V 800 A for BK fuses size 2														
Fuse rating (A)	400	450	500	550	630	700	800	900	1000	1100	1,250			
Max. I for the FUSERBLOC (A)	380	420	440	450	500	520	530	530	530	540	550			
FUSERBLOC 1250 A for fuse size 3														
Fuse rating (A)	500	550	630	700	800	900	1000	1100	1,250	1400	1500	1,600	1800	2000
Max. I for the FUSERBLOC (A)	500	550	620	630	720	790	870	940	1050	1100	1100	1100	1100	1100

References

Front operation

Rating (A) / Fuse	N° of Poles	Switch body only ⁽¹⁾	direct handle	External handle	Shaft for external operation	Fuse protection covers	Auxiliary contact pre-break and signalisation	Terminal Shrouds
800 A / 2	3 P	3680 3081	3999 6012	Black IP55 1443 3111 ⁽²⁾ Red/Yellow IP65 1444 3111	200 mm 1400 1220 320 mm 1400 1232	included	1 OF 3999 0051 2e OF 3999 0052	3998 3063
	4 P	3680 6081						3998 4063
1250 A / 3	3 P	3680 3121						3998 3120
	4 P							3998 4120

(1) Consult us.

(2) Standard.

FUSERBLOC uR

Fuse combination switches for protecting power semiconductors
50 to 1250 A

FUSERBLOC for K/110 uR fuses

Features

FUSERBLOC 250 A for fuse size 1* 690 VAC⁽¹⁾																		
Fuse rating (A)	40	50	63	80	100	125	160	200	250	315	350	400	450	500	550	630		
Max. I for the FUSERBLOC (A)	40	50	63	80	100	120	140	165	195	215	230	240	240	240	230	240		
FUSERBLOC 400 A for fuse size 1* at 690 VAC⁽¹⁾																		
Fuse rating (A)							200	250	315	350	400	450	500	550	630	700	800	900
Max. I for the FUSERBLOC (A)							145	165	200	220	240	265	290	310	340	370	395	395
FUSERBLOC 500 A for fuse size 2* 690 VAC⁽¹⁾																		
Fuse rating (A)											400	450	500	550	630	700		
Max. I for the FUSERBLOC (A)											320	345	370	390	425	460		
FUSERBLOC 630 A for fuse size 2 to 690 VAC⁽¹⁾																		
Fuse rating (A)												800	900	1000	1100	1,250		
Max. I for the FUSERBLOC (A)												495	545	590	610	620		
FUSERBLOC 800 A for fuse size 3 at 690 VAC⁽¹⁾																		
Fuse rating (A)				500	550	630	700	800	900	1000	1100	1,250	1400	1500	1,600	1800	2000	
Max. I for the FUSERBLOC (A)				370	395	440	480	535	590	645	695	760	800	800	800	800	800	
FUSERBLOC 1250 A for fuse size 3 Please consult us.																		

(1) For uR fuses type K/110 1250 VAC, please consult us.

References

Direct right side or front operation switch

Rating (A) / Fuse / Frame size	N° of Poles	Body	Direct side handle	Direct front handle	Fuse protection covers	Auxiliary contact pre-break and signalisation	Terminal Shrouds
250 A / 1* / 6	2 P	36U1 2024	Black 3629 7901		2 P 3990 2839 ⁽¹⁾ 3 P 3990 3839 ⁽¹⁾	1 contact NO/NC 3999 0021	2 P 3998 2025 3 P 3998 3025
	3 P	36U1 3024					
400 A / 1 / 6	2 P	36U1 2039					
	3 P	36U1 3039					
500 A / 2 / 17	2 P	38U1 2050	Black 1437 7911		2 P 3890 2U63 ⁽¹⁾ 3 P 3890 3U63 ⁽¹⁾	1 contact NC 3999 0701 1 contact NO 3999 0702	2 P 3898 2080 3 P 3898 3080
	3 P	38U1 3050					
630 A / 2 / 17	2 P	38U1 2063					
	3 P	38U1 3063					
800 A / 3 / 18	2 P	38U1 2080					
	3 P	38U1 3080					
1250 A / 3 / 18	2 P	38U1 2120	Black 3899 7011	Standard			3898 2120
	3 P	38U1 3120					3898 3120

(1) Terminal shrouds for FUSERBLOC fitted fuse blown microswitch.

References (continued)

External right side or front operation

Rating (A) / Fuse / Frame	N° of Poles	Body	External front handle	External side handle	Shaft for external operation	Fuse protection covers	Auxiliary contact pre-break and signalisation	Terminal Shrouds			
250 A / 1 / 16	2 P	38U1 2024	S2 type Black IP55 1421 2111	S2 type Black IP55 1425 2111	320 mm 1400 1032	2 P 3990 2839 ⁽¹⁾		2 P 3998 2025			
	3 P	38U1 3024							3 P 3998 3025		
400 A / 1 / 16	2 P	38U1 2039	Rouge IP65 1424 2111	Red/yellow IP65 1428 2111		3 P 3990 3839 ⁽¹⁾		3 P 3998 3025			
	3 P	38U1 3039							3 P 3998 3025		
500 A / 2 / 17	2 P	38U1 2050	S3 type Black IP65 1433 3111	S3 type Black IP65 1437 3111	320 mm 1400 1232	2 P 3890 2U63 ⁽¹⁾	1 contact NC 3999 0701	2 P 3898 2080			
	3 P	38U1 3050							3 P 3898 3080		
630 A / 2 / 17	2 P	38U1 2063				Red/ Yellow IP65 1434 3111		S3 type Black IP65 1437 3111	3 P 3890 3U63 ⁽¹⁾	3 P 3899 0702	3 P 3898 3080
	3 P	38U1 3063									
800 A / 3 / 17	2 P	38U1 2080	Red/ Yellow IP65 1438 3111	Red/ Yellow IP65 1438 3111	Standard	Standard	2 P 3898 2120				
	3 P	38U1 3080						3 P 3898 3120			
1250 A / 3 / 18	2 P	38U1 2120	Type S4 Black IP65 1443 3111			Standard	2 P 3898 2120				
	3 P	38U1 3120	Red/ Yellow IP65 1444 3111					3 P 3898 3120			

(1) Terminal shrouds for FUSERBLOC fitted fuse blown microswitch.

Accessories

Terminal shrouds for FUSERBLOC fitted fuse blown microswitch

Use

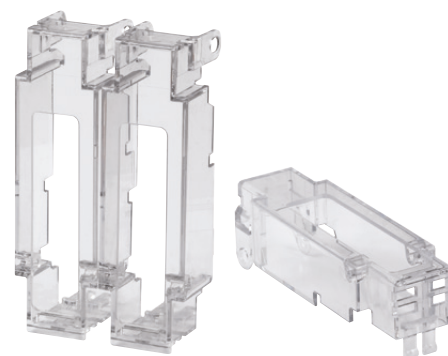
Protection against direct contact with live parts situated in the fuse compartment for FUSERBLOC fitted with uR fuses with fuse blown auxiliary contacts.

Current (A)	Fuses ⁽³⁾	N° of Poles	Option ⁽²⁾	Accessories ⁽¹⁾
			(factory mounted)	(customer-mounted)
			Reference	Reference
250... 400	1* / 1	2 P	3990 2839	3999 2839
250... 400	1* / 1	3 P	3990 3839	3999 3839
500 ... 800	2 / 3	2 P	3890 2U63	3899 2U63
500 ... 800	2 / 3	3 P	3890 3U63	3899 3U63
500 ... 800	2 / 3	2 P	3890 2U63	3899 2U63
1,250	3	2 P	Standard	Standard
1,250	3	3 P	Standard	Standard

(1) If ordered later.

(2) If ordered at the same time as the standard device.

(3) For fuses, see "uR fuses 10 to 2000 A".



access_221_a

For other accessories, see FUSERBLOC.