

Product Data Sheet

GWJ2121R100

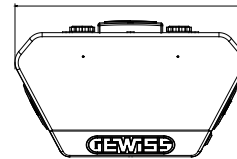
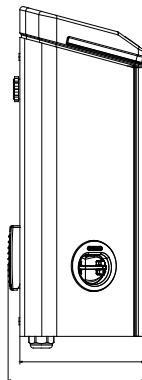
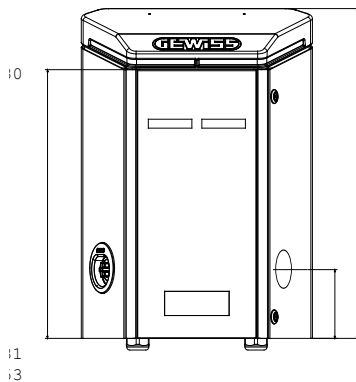
JOINON range



The wall-mounted I-ON charging stations are the JOINON solutions for public and semi-public access, designed for charging electric vehicles and to withstand any wear including impacts, stress, vandalism and atmospheric agents. They are the first and only on the market guaranteed with a IP55 protection rating. The special design allows the units to be adapted into any urban context and parking configuration, with a targeted focus on the user experience of drivers. They are available with standard JoinOn graphics, which may be customised on request.

INPUT		- Socket/Connector Nr. (Type)	1 (Type 2 antivandalproof, with shutter) + 1 (Type F)
Terminal blocks	1 x (3 x 10 mm ²) + 1 x (3 x 6 mm ²)	Charging activation	Locally managed, via RFID
Rated current	42 A	Human Interface	LED RGB and TFT Display
Total power	10 Kilowatt	Connectivity	No
OUTPUT		MECHANICAL FACTS	-
Rated voltage	230 V	Mounting and installation	Wall mount
Current supplied (max)	32 A per socket (10 A for Type F)	Colour	Grey, Headboard RAL 7011
Power max.	7,4 kW per socket (2,3 kW for type F)	Material	Steel sheet
Thermal-magnetic protection	Currently not present	External treatments	Anti-corrosion and anti-graffiti
Type of residual current protection	Currently not present	IP degree	IP54
Power meter	YES (MID)	Mechanical resistance	IK10
DC Leakage check	Currently not present	Operating temperature	-25 +50 °C
(Auto)restart electrical protections	Currently not present	Customizations	Yes (front)

DIMENSIONAL



TECHNICAL SYMBOLOGY

IP

IK

IP54

IK10

STANDARDS/APPROVALS

