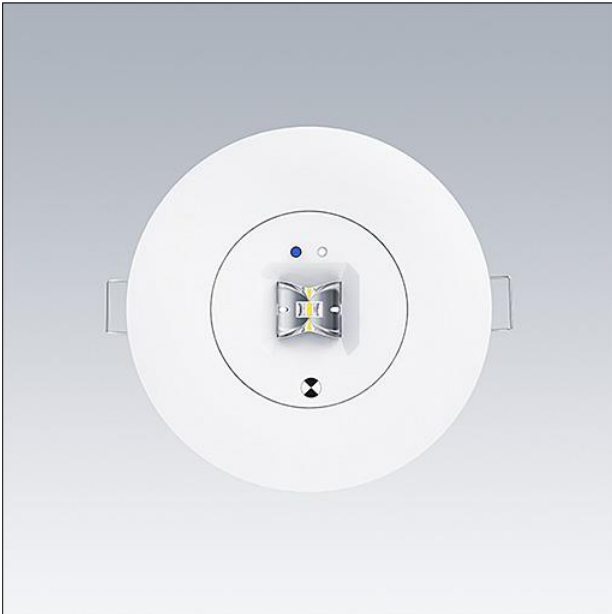
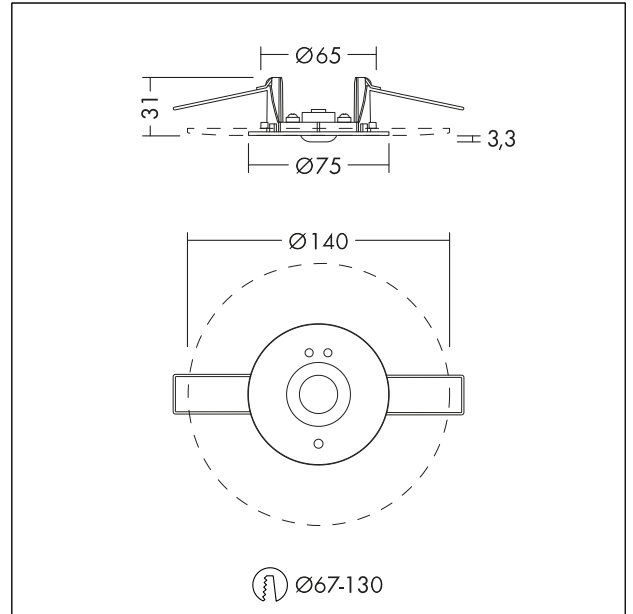


Emergency Downlight

LED emergency downlight for escape route lighting with min. 1 lux compliant to EN 1838. Special polycarbonate lens design to improve and maximise spacing. Colour Temperature: 4000K. Tool-free and fast installation due to retaining springs and included connector for easy and tool-free loop-in loop-out wiring. Cut out diameter 67 - 130mm, tool-free replacement of battery. Luminaire with local battery supply (LiFePO4) for 3 hour emergency lighting in non-maintained mode, with automatic test (self-test), display of luminaire status via status LED, battery: LiFePO4 3,2V 1,5Ah, initial charging period: 24 hours, Surface mount box available as accessory. Dimensions: Ø140 x 3 mm, weight: 0.27 kg.



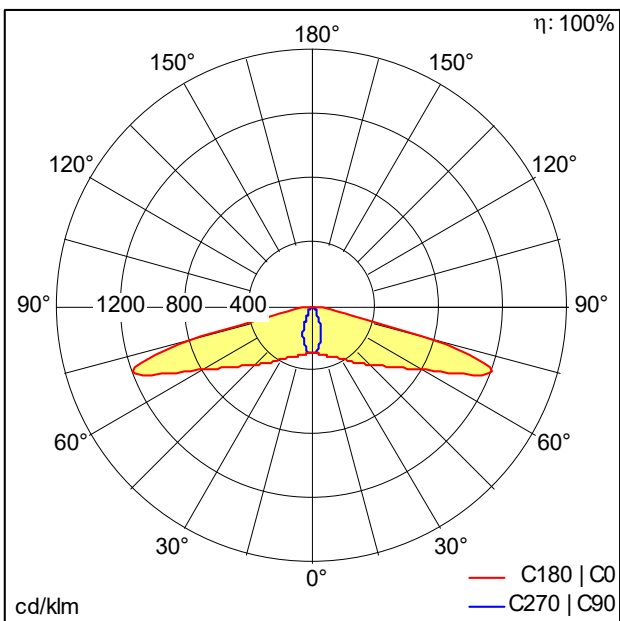
TE_IRIS_F_ESCAPE_FRONT.jpg



TE_IRIS_M_IRIS.wmf

Light Distribution

STD - standard



TE_IRIS_ESCAPE_SELFTEST_E3_LiFePO4.ltd

- Light Source: LED
- Luminaire luminous flux*: 210 lm
- Colour Rendering Index min.: 70
- Correlated colour temperature*: 4000 Kelvin
- Chromaticity tolerance (initial MacAdam): 7
- Rated median useful life*: L80 50000 h at 25 °C
- Standby Power*: 0.7 W
- Charging power: 2 W
- Service life rating: 3 h

All values marked with an * are rated values. Connected electrical load and luminous flux are subject to an initial tolerance of +/- 10%, the most similar colour temperature is subject to an initial tolerance of +/- 150K. Unless stated otherwise, the values apply to an ambient temperature of 25°C.