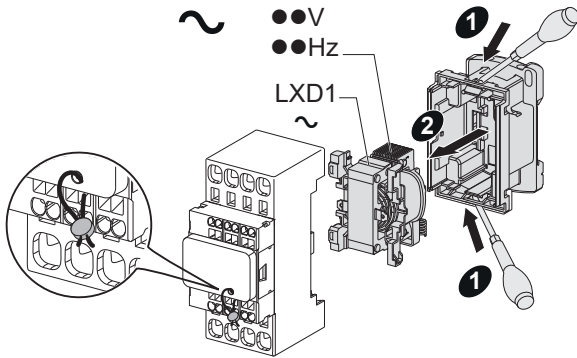


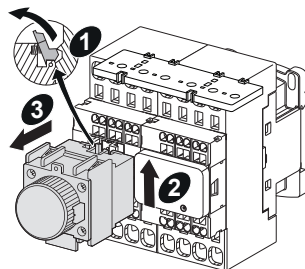
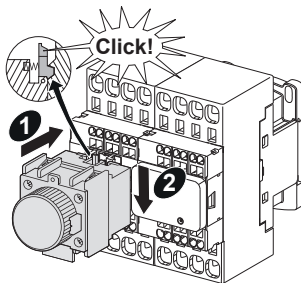
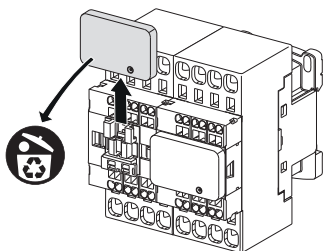
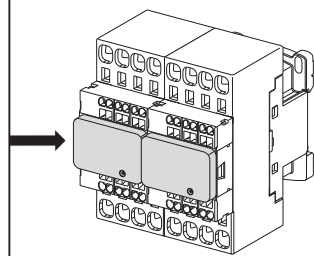
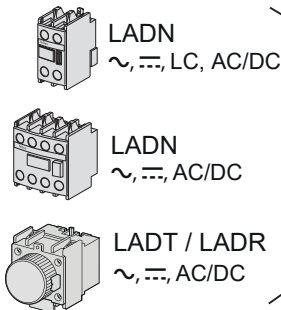
⚠ ⚠ DANGER / 危险

HAZARD OF ELECTRIC SHOCK, EXPLOSION, OR ARC FLASH
 Disconnect all power before servicing equipment.
Failure to follow these instructions will result in death or serious injury.

可能有触电、爆炸或者电弧灼伤的危險
 在此电力设备上进行操作时，请先断开所有电源。
 不遵循上述规定将可能导致人员伤亡。



~ = Alternative current coil
 ⋯ = Continuous current coil
 LC = Continuous 100mA current coil
 AC/DC = Alternative and continuous current coil



					AWG	
		10 mm 3/8"	[mm ²]	[mm ²]		
	LC2DT203	10 mm 3/8"	1...2,5	1...2,5	AWG 14-18 CU 75°C Solid or Stranded	3.5 mm
	LC2DT253	10 mm 3/8"	1...4	1...4	AWG 10-18 CU 75°C Solid or Stranded	4 mm
	LC2DT323 LC2DT403	13 mm 1/2"	1...10	-	AWG 10-14 CU 75°C Solid AWG 8-14 CU 75°C Stranded	4 mm
	LC2DT..3	8 mm 5/16"	1...2,5	1...2,5	AWG 14-18 CU 75°C Solid or Stranded	3.5 mm

Schneider Electric Industries SAS
 35, rue Joseph Monier - CS 30323
 F - 92506 Rueil Malmaison Cedex
www.se.com/contact