

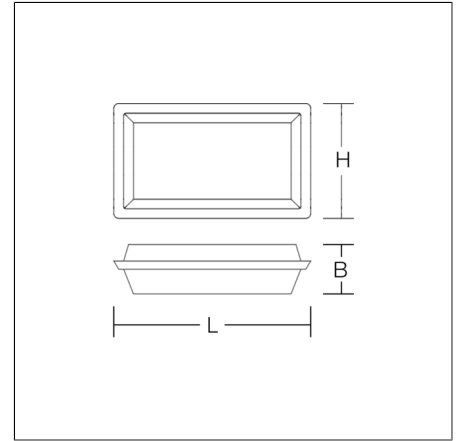
VARIOPLAST I

672126.002 | Luminaires for escape route identification



Wall luminaires
4051859068471
L 320, B 80, H 186

Wall (surface)
white



Luminaire for escape route identification. Base: plastic (polycarbonate). Housing and diffuser: opal, made of shockproof plastic (polycarbonate). 4 plastic foils with escape route motifs included (ISO 7010). Electronic ballast included. Self-contained system with automatic self-test. Luminaires with limited surface temperature in accordance with EN 60598-2-24 for use in environments in which a deposit of conductive dust on the luminaire can be expected. Ball impact proof in accordance with DIN 18032-3. Qualified for use in the food and drink industry.

Product specifications

| | |
|---|--|
| Typ of emergency lighting | Self-contained system |
| Monitoring | Autotest |
| Battery | LiFePO4 |
| Duration | 3 h |
| Operating mode | maintained power mode |
| Viewing Distance | 24 m |
| Length L | 320 mm |
| Width B | 80 mm |
| Height H | 186 mm |
| Weight | 1.02 kg |
| Light source | LED |
| Colour temperature | 4000 K |
| System power, mains operation | 4,3 W |
| Rated life | 50000 h |
| Colour rendering index (CRI) | 80 |
| Photobiological safety according to EN 62471 | Risk group 0 |
| Driver | Converter |
| Control | on/off |
| Voltage | 220 - 240 V / 50 Hz, 60 Hz |
| CIE Flux Code / CEN Flux Code | 23 48 73 51 100 |
| Type of protection | IP 65 |
| Protection class | I |
| Filament test | 960 °C |
| Impact resistance | IK08 |
| Ambient temperature for maintained power | 5 °C ... + 35 °C |
| Ambient temperature for non-maintained power mode | 5 °C ... + 40 °C |
| Safety marks | D-mark, Ball impact proof in accordance with DIN 18032-03 |
| Conformity mark | CE, EAC |

Accessories



982477.014

VARIOPLAST I

672126.002 | Luminaires for escape route identification

Spareparts



08-22070.002
Replacement diffuser