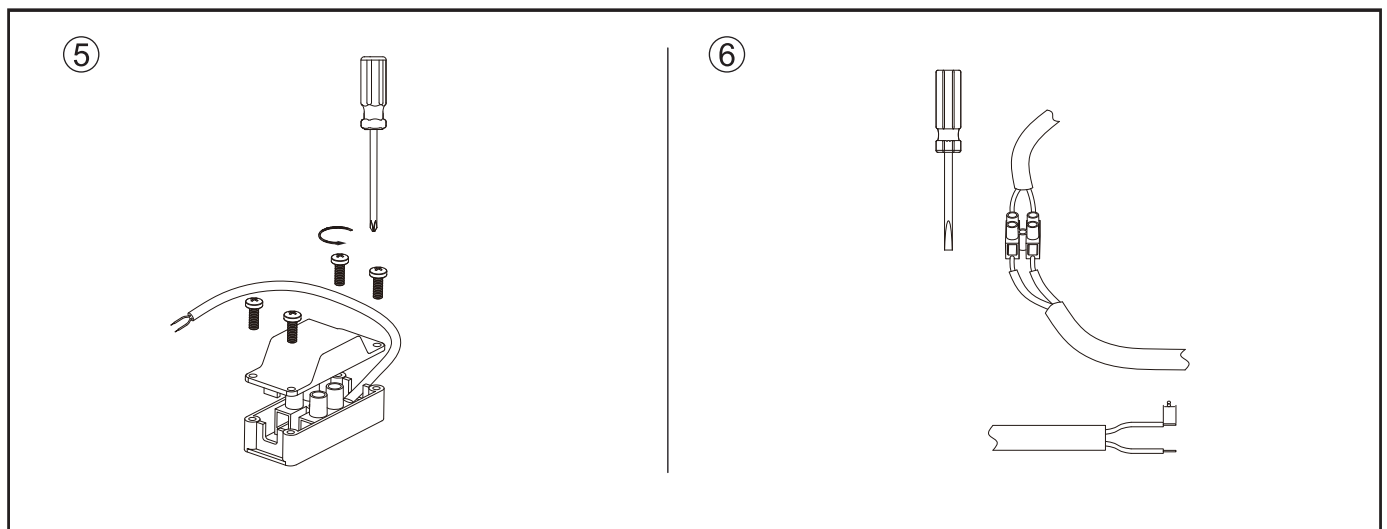
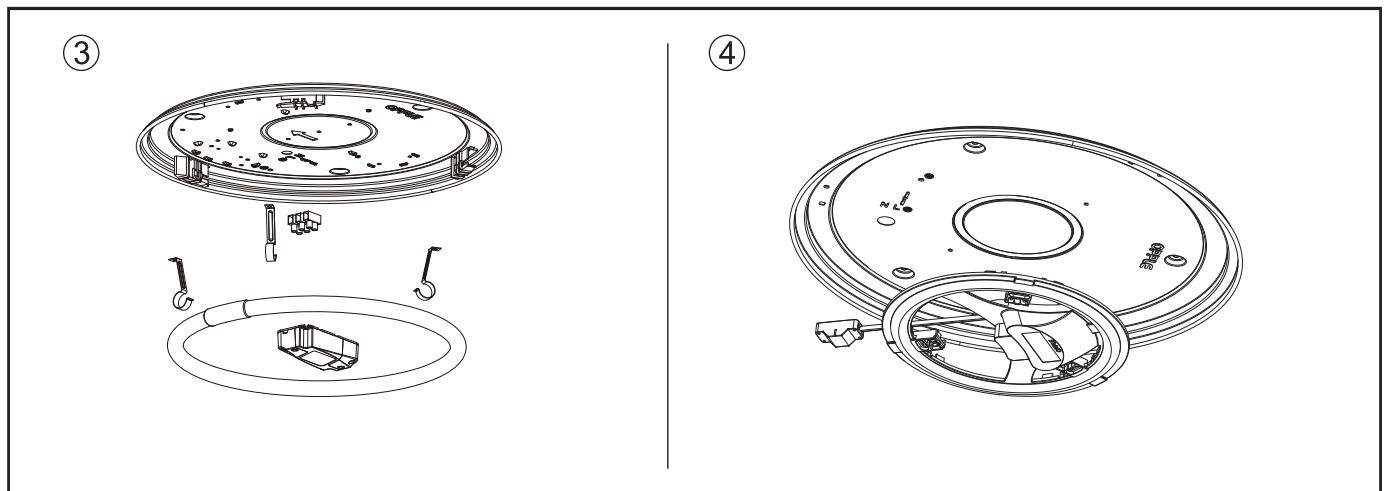
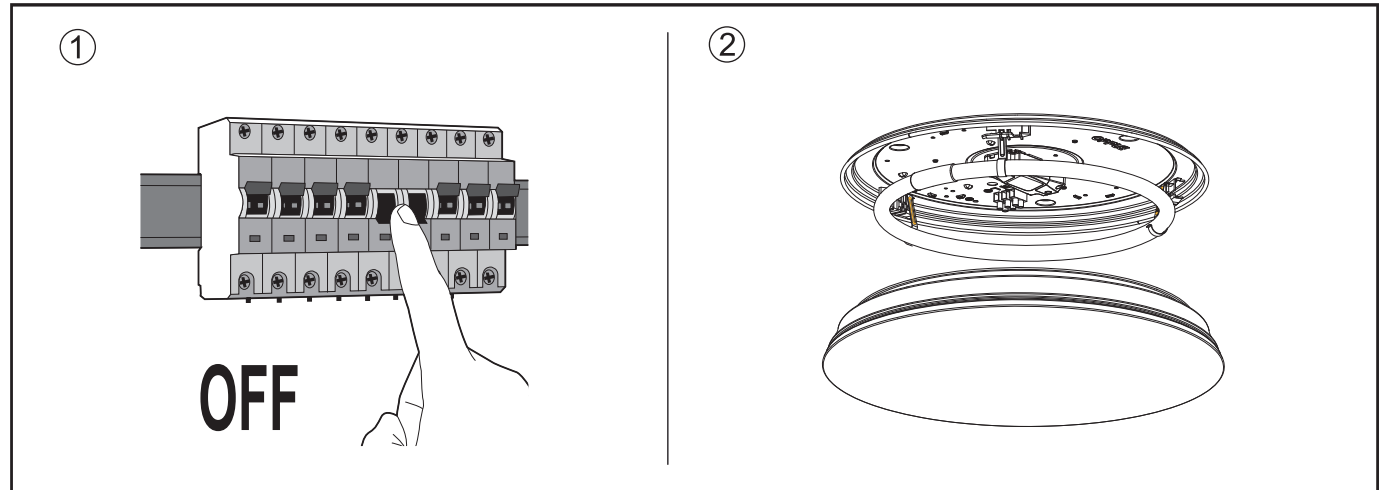
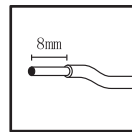
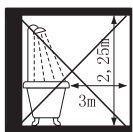
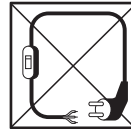
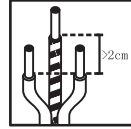
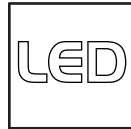
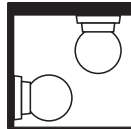
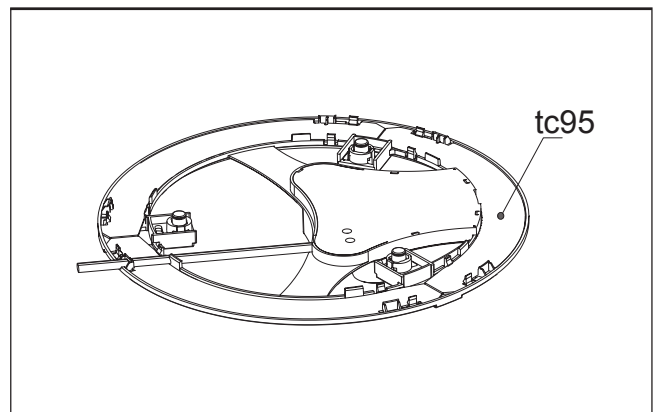
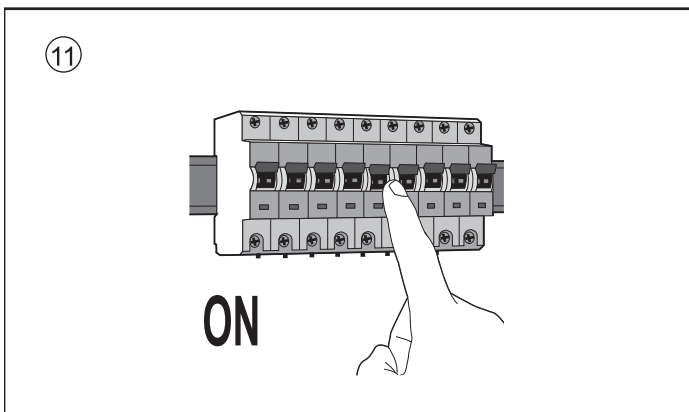
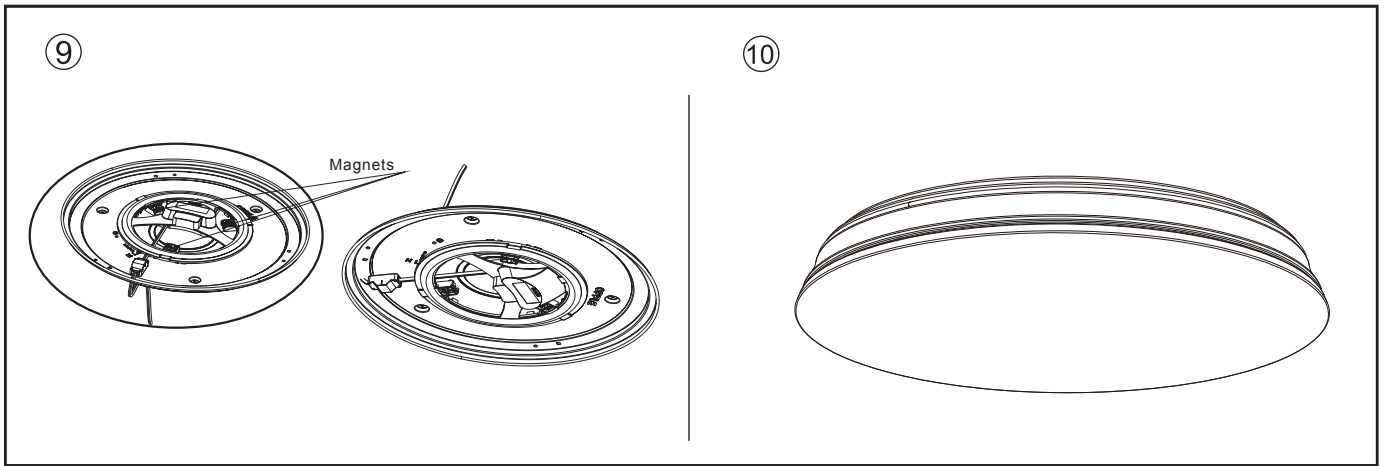
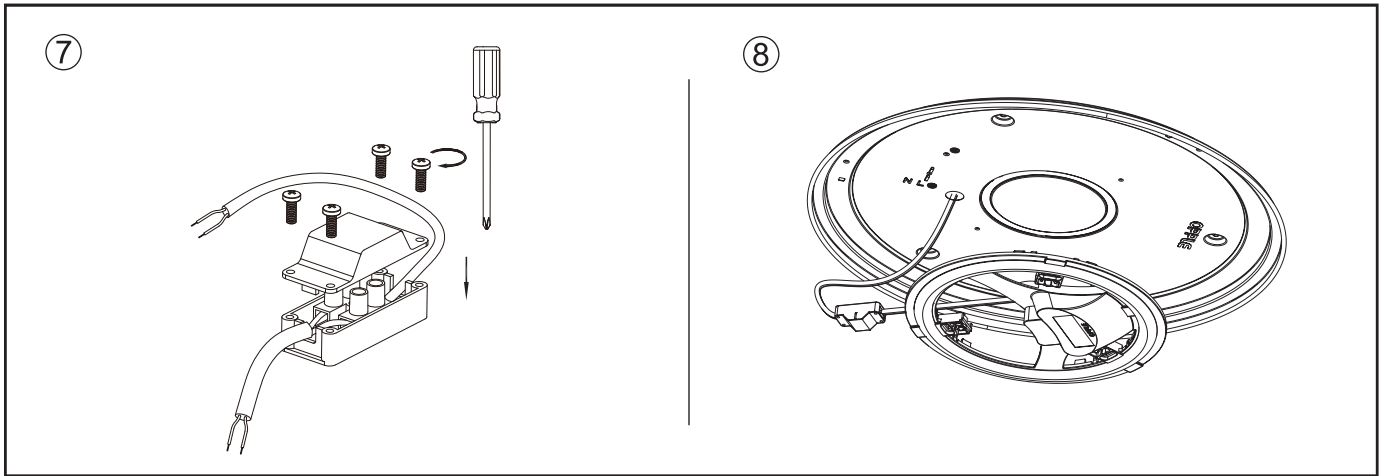


LED Module Incl. Driver

Version date 11-11-2017
www.opple.com

Art. Code	Family Name	CCT	kg
140066204	Clio	2700K	0.241
140066205	Clio	4000K	0.241





Opplé Lighting Electronic (Zhongshan) Co., Ltd.
 528422
 Building A, No.275 Dongan Bei Road,
 Haizhou District, Guzhen Town,
 Zhongshan City, Guangdong, China.

OPPLE Lighting B.V.
 Materialweg 6-6A
 5681 RJ Best
 The Netherlands
 service@opple.com
 www.opple.com