

Product Data Sheet

GW95512

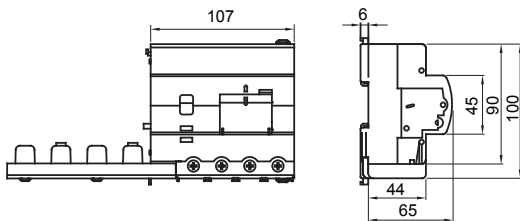
90 RCD Range



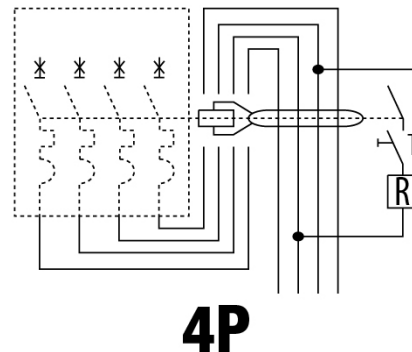
Description	HIGH PERFORMANCE RESIDUAL CURRENT DEVICE		
Code			BDHP
No. of poles			4P
No. modules			6
Rated current			125 A
Rated residual operating current			300 - 3000 mA
Type			Adjustable
Rated voltage (IEC/EN 60947-2 app. B)			400V

Standard	IEC/EN 60947-2 app. B	Rated frequency (Hz)	50Hz
Insulation voltage	500 V	Rated impulse withstand voltage	4 kV
Overvoltage category	III	Level of immunity (8/20 μ s)	3000 A
Section rigid cable	Max 70 mm ²	Section flexible cable	Max 50 mm ²
Operating temperature	-25 +40 °C	Stocking temperature	-40 +70 °C
Rated tightening torque	3.5 / 3 (terminals)	Adjustable tripping time	0 - 60 - 150 ms
Assembly position	Any		

DIMENSIONAL



WIRING DIAGRAM



STANDARDS/APPROVALS

