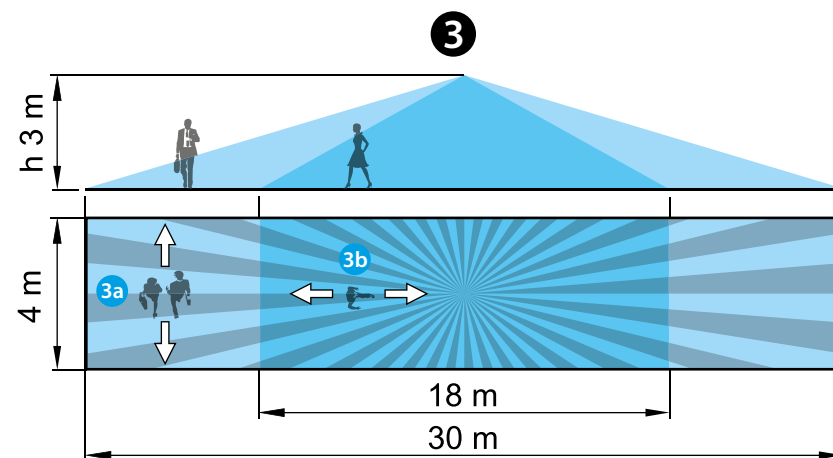
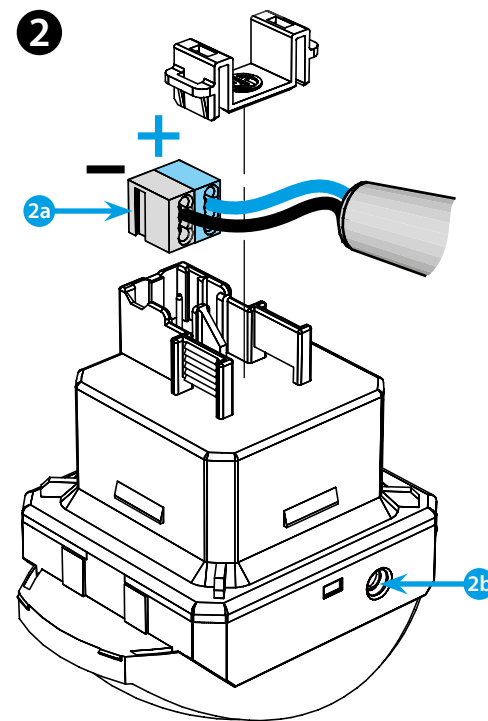
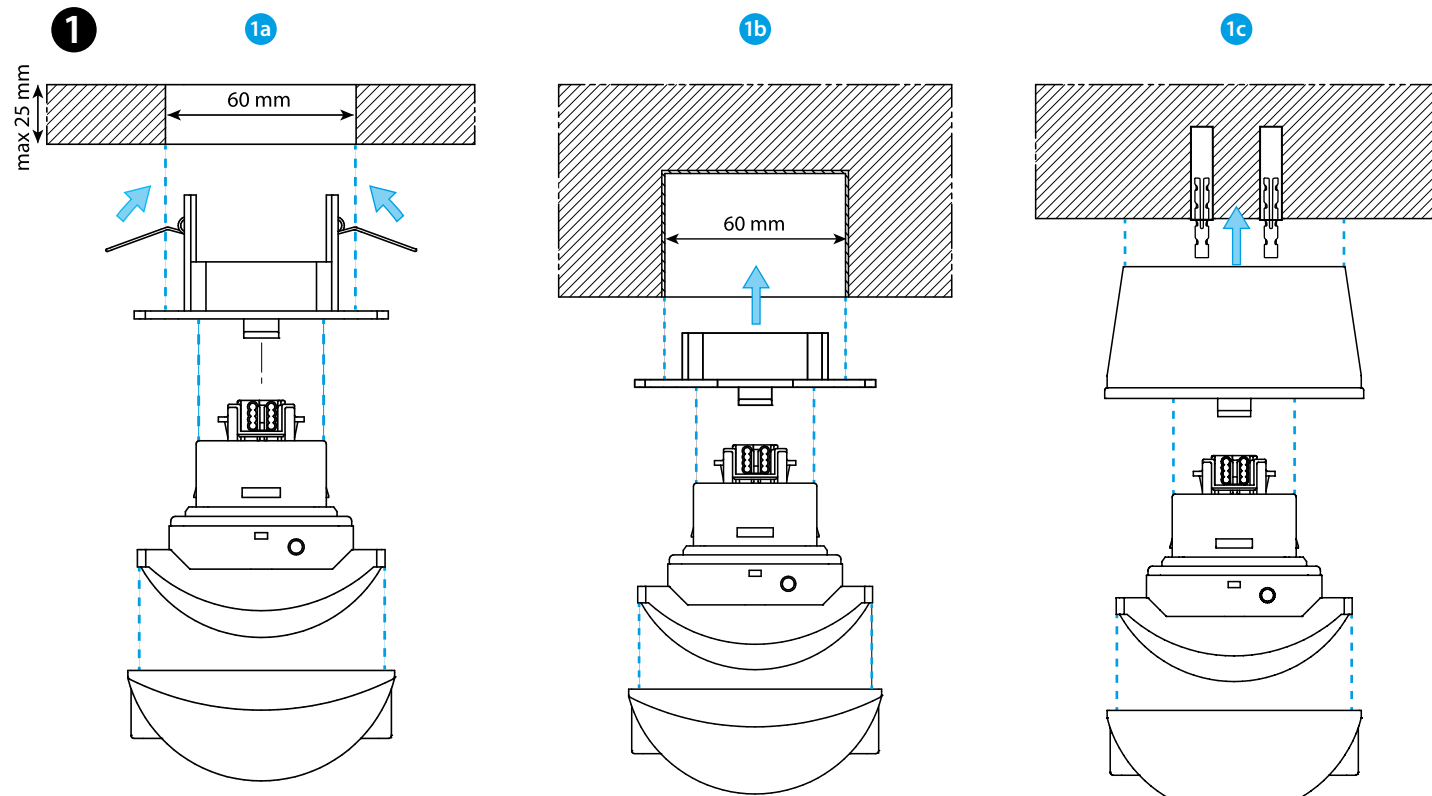




18.4K

18.4K.9.030.0000	
IN	BUS KNX 29 V DC (21...32 V DC) SELV
	(-5...+45)°C
IP40	



# ENGLISH

18.4K.9.030.0000  
PIR MOVEMENT AND PRESENCE DETECTOR KNX BUS

- 1 INSTALLATION**  
 1a Suspended ceiling mounting  
 1b Recess mounting  
 1c Surface mounting

- 2 WIRING DIAGRAM**  
 2a KNX BUS supply  
 2b KNX programming button

- 3 SENSING AREA**  
 Sensing area (h = 3 m):  
 30m length – 4m width  
 3a Tangential movement  
 3b Radial movement

**NOTE**  
 - The product shall not be used for safety functions  
 - Environmental class according to EN 50491-2: Weather protected in uncontrolled conditions, temperature -25...+55 °C  
 - Verify the correct address of the device and the setting parameters via ETS software  
 - EN 60669-1 / EN 60669-2-1 / EN 50491  
 - IP40