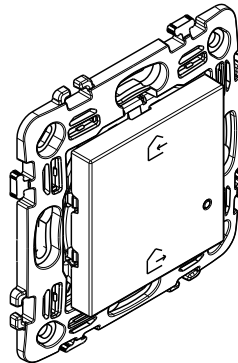


Classia  
Home / Away wireless switch

RW4570CW - RA4570CW - RG4570CW



**Use**

It is equipped with 2 buttons for activating Home / Away scenarios. Scenarios can be customized by the Home + Control app. Surface installation with repositionable stickers (supplied) or onto a flush mounting box. Integrated LED for low battery indication. - 2 modules.

**Standards and approvals**

The undersigned, BTICINO, declares that the radio-electric equipment type (RW-RA-RG4570CW) complies with directive 2014/53/EU. The full text of the EU declaration of conformity is available on the following website: [www.bticino.it/red](http://www.bticino.it/red)

**Range**

Designation	Cat. Nos.
Home / Away wireless control, with battery.	<input type="checkbox"/> RW4570CW
Equipped with an LED indicator (configuration) and a RESET button (hidden) used to return to factory settings.	<input type="checkbox"/> RA4570CW
Repositionable self-adhesive fixings supplied.	<input type="checkbox"/> RG4570CW

Colours code:

- White
- Aluminum
- Black

**Technical characteristics**

**- Mechanical characteristics**

Protection against impacts: IK 02  
Protection against solid bodies/liquids: IP 20 without plate and rocker plate

**- Material characteristics**

Mechanism with grid: Fibreglass-reinforced (10%) PC  
Mechanism functional cover: PC/ABS  
Supporting base: fibreglass-reinforced PA (60%).

Halogen-free  
UV resistant

Self-extinguishing: 650°C/30 s

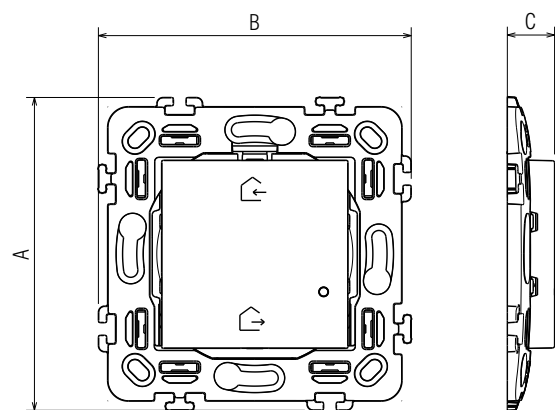
**- Electrical characteristics**

Powered by a CR2032 - 3 V lithium battery (supplied)  
Battery life: 8 years for 10 activations a day  
ZigBee radio technology frequency: 2.4 GHz to 2.4835 GHz  
Wireless mesh network, self-adaptive and secure (AES 128), conforming to standard IEEE 802.15.4 (LR-WPAN)  
Power level: < 100 mW

**- Climate characteristics**

Usage temperature: +5° C to +45° C  
Storage temperature: 0° C to +45°

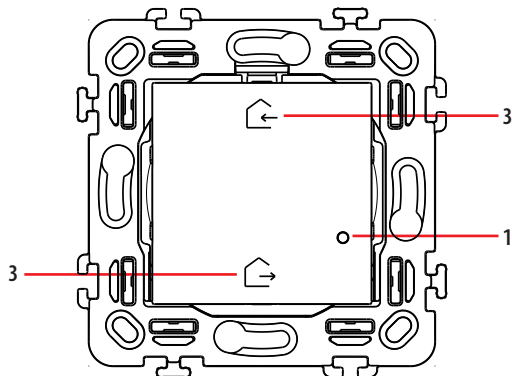
**Overall dimensions (mm)**



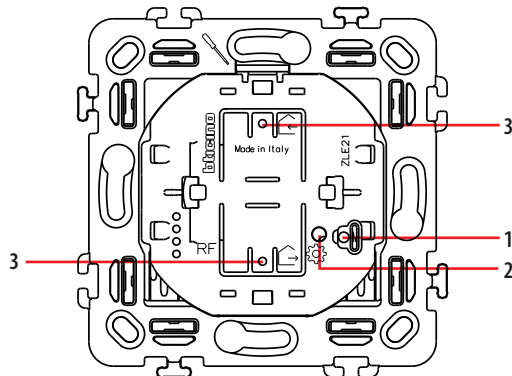
A	B	C
75	75	11,3

## Operation

Front view



Front view without coverkey



## Legend

1. LED indicator: useful during installation
2. RESET button used to return to factory settings
3. Control pushbutton

## Cleaning

Clean the surface with a cloth.

Do not use acetone, tar-removing cleaning agents or trichloroethylene.

**Caution: Always test before using special cleaning products.**

The plates must not be painted.



Take care to recycle the battery appropriately.

RAEE/WEEE: [bticino.com/disposal](http://bticino.com/disposal)