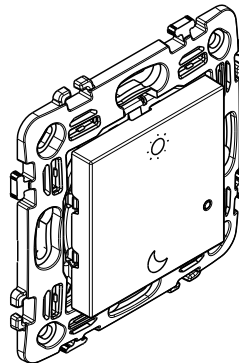


Classia
Wake Up / Sleep wireless switch

RW4574CW - RA4574CW - RG4574CW



Use

It is equipped with 2 buttons for activating Wake up / Sleep scenarios. Scenarios can be customized by the Home + Control app. Surface installation with repositionable stickers (supplied) or onto a flush mounting box. Integrated LED for low battery indication. - 2 modules.

Standards and approvals

The undersigned, BTICINO, declares that the radio-electric equipment type (RW-RA-RG4574CW) complies with directive 2014/53/EU. The full text of the EU declaration of conformity is available on the following website: www.bticino.it/red

Range

Designation	Cat. Nos.
Wake up / Sleep wireless control, with battery. Equipped with an LED indicator (configuration) and a RESET button (hidden) used to return to factory settings. Repositionable self-adhesive fixings supplied.	<input type="checkbox"/> RW4574CW <input type="checkbox"/> RA4574CW <input type="checkbox"/> RG4574CW

- Colours code:
- White
 - Aluminum
 - Black

Technical characteristics

- Mechanical characteristics

Protection against impacts: IK 02
Protection against solid bodies/liquids: IP 20 without plate and rocker plate

- Material characteristics

Mechanism with grid: Fibreglass-reinforced (10%) PC
Mechanism functional cover: PC/ABS
Supporting base: fibreglass-reinforced PA (60%).

Halogen-free
UV resistant

Self-extinguishing: 650°C/30 s

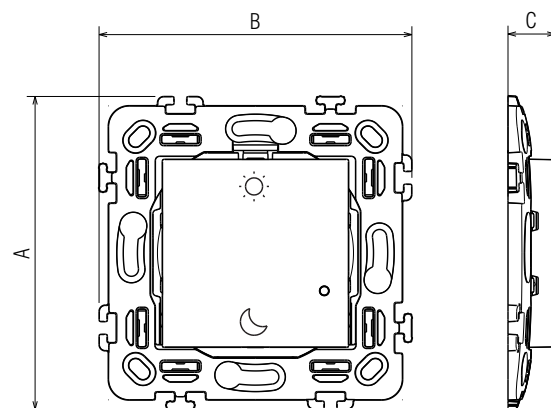
- Electrical characteristics

Powered by a CR2032 - 3 V lithium battery (supplied)
Battery life: 8 years for 10 activations a day
ZigBee radio technology frequency: 2.4 GHz to 2.4835 GHz
Wireless mesh network, self-adaptive and secure (AES 128), conforming to standard IEEE 802.15.4 (LR-WPAN)
Power level: < 100 mW

- Climate characteristics

Usage temperature: + 5° C to + 45° C
Storage temperature: 0° C to + 45°

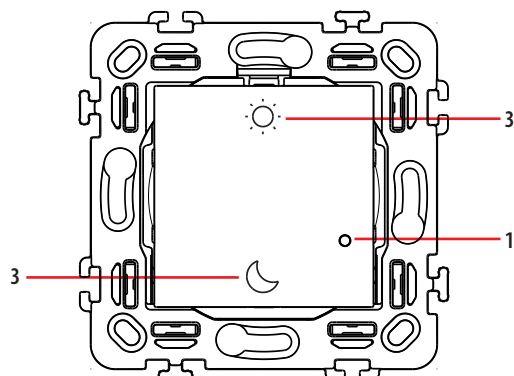
Overall dimensions (mm)



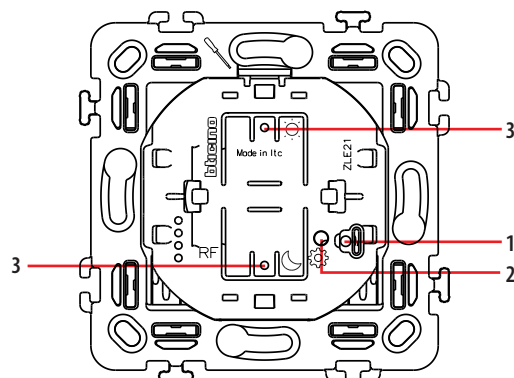
A	B	C
75	75	11,3

Operation

Front view



Front view without coverkey



Legend

1. LED indicator: useful during installation
2. RESET button used to return to factory settings
3. Control pushbutton

Care

Clean the surface with a cloth.
Do not use acetone, tar-removing cleaning agents or trichloroethylene.

Caution: Always test before using special cleaning products.

The plates must not be painted.



Take care to recycle the battery appropriately.

RAEE/WEEE: bticino.com/disposal