

Product End-of-Life Instructions

ZMLP switch & display device for pressure transmitter

Product Range

ZMLP switch & display device for pressure transmitter

Marketing Model

ZMLPA2P0SH, ZMLPA1P2SH, ZMLPA1P2SW, ZMLPA1N2SH, ZMLPA1N2SW, ZMLPA2N0SH, XMLPZLH01, XMLPZLV01

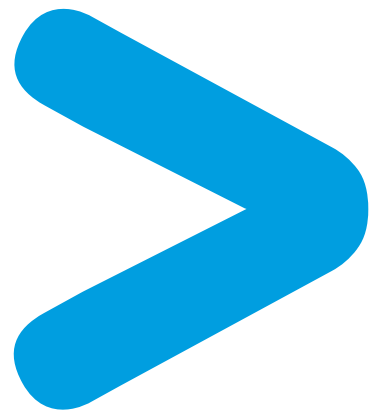


Size in mm:

H x L x D : 78 x 40 x 38

Weight (excluding packaging) in g:

About 100 without battery

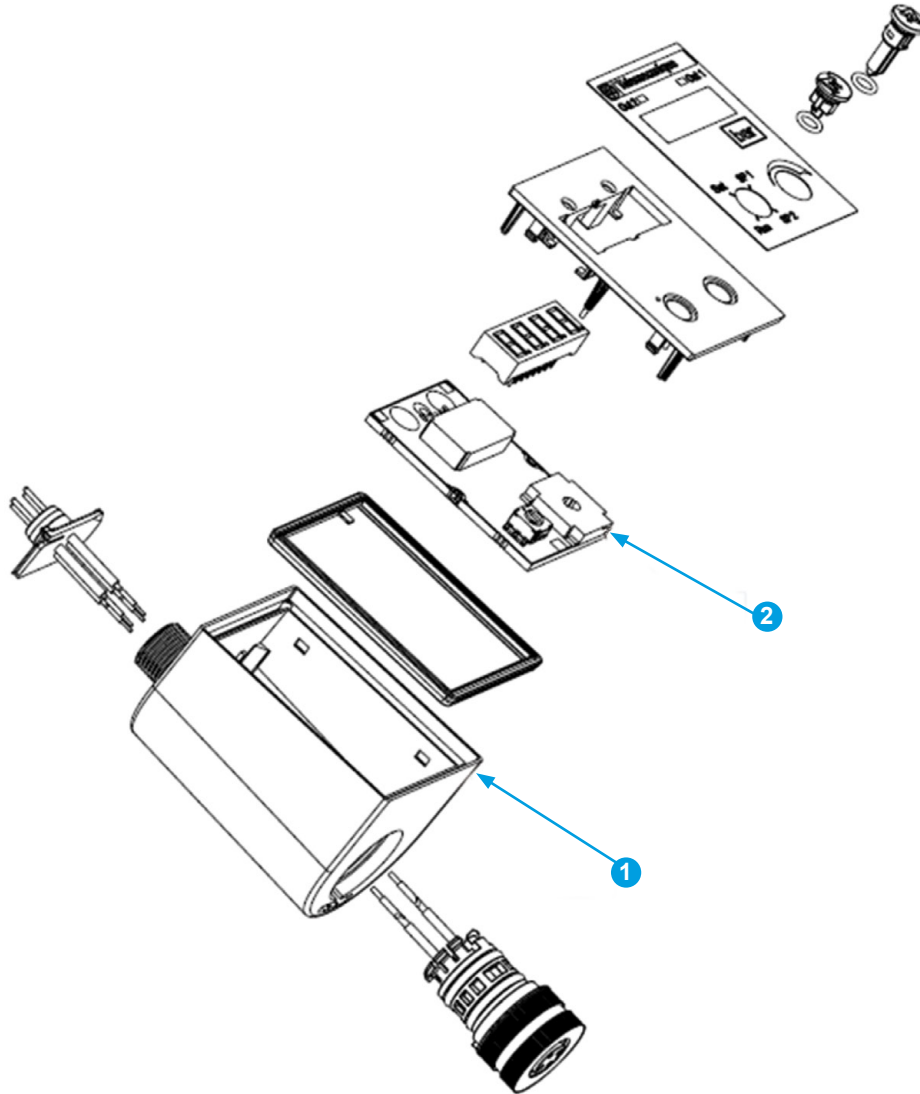


Operations recommended for the end of life treatment

There are several steps to process the products at the end of life so as to recover components, materials or energy :

Reuse ⇒ **Separation for special treatment** ⇒ **Other dismantling** ⇒ **Shredding**

The components of the products that optimize the recycling performances are listed, identified and located hereunder.



Recommendation	Number on drawing	Components description	Weight (g)	Comment
Special treatment	1	Plastic Body	13	-
Special treatment	2	PCBA	37	-

For more information please contact us at: global-green-sensors@schneider-electric.com.

Schneider Electric Industries SAS

35, rue Joseph Monier
CS30323
F - 92506 Rueil Malmaison Cedex

RCS Nanterre 954 503 439
Capital social 896 313 776 €
www.schneider-electric.com

The version of the Guide used to create the document: End of Life Instruction Drafting Guide of Schneider Electric version V4.

Publication : Schneider Electric