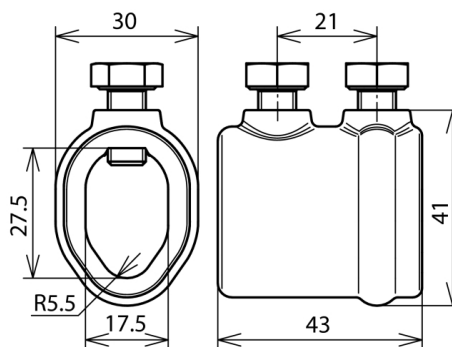


TM G 7.10 16 ZG (450 011)



Figure without obligation



Arrangement:

Type	TM G 7.10 16 ZG
Part No.	450 011
Material	ZDC
Clamping range Rd / Rd	7-10 / 16 mm
Screw	M8 x 16 mm
Material of screw	StSt
Lightning current carrying capability (10/350 µs)	^{*)}
Standard	EN 62561-1
Weight	134 g
Customs tariff number	85389099
GTIN	4013364025172
PU	50 Stk

^{*)}For exact classification, see test certificate.

We reserve the right to introduce changes in performance, configuration and technology, dimensions, weights and materials in the course of technical progress. The figures are shown without obligation.