

LUKKA CONNECT GU10

SLIP012016



See
more

LED luminaire LUKKA CONNECT GU10 for replaceable light source. It has a very high degree of protection IP67, providing protection against the ingress of dust and water jets

IP67



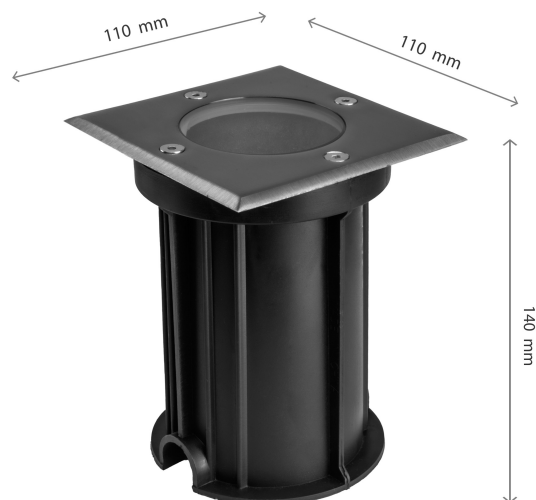
Voltage **250 V**

Socket **GU10**

Degree of protection (IP) **IP67**


Technical data

Code	SLIP012016
Voltage	250 V
Protection class	I
Light source included	No
Working temperature range	-20/+40 °
Lifespan	17000 h
Housing material	Aluminum, PLASTIC, GLASS
Socket	GU10
Degree of protection (IP)	IP67
Colour	Gray
Dimension (AxBxC)	108x108x140 mm
Mounting hole	100 mm
For use	Inside/Outside
Assembly method	GRUNTOWY
Application	INT/EXT
Other	MAX 4W LED; NO INTENDED FOR HALOGEN ,



Related documents



 User manual



 Declaration of Conformity



 3D model

