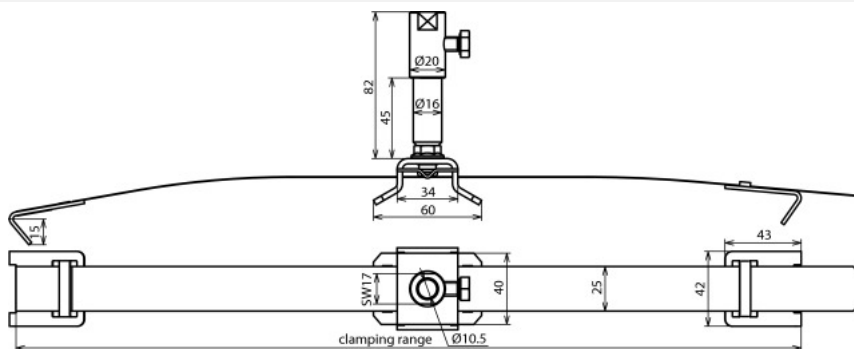


HA 10 1F FG120.300 V2A (123 110)



Figure without obligation



Type	HA 10 1F FG120.300 V2A
Part No.	123 110
Clamping range Rd	10 mm
Tensioning range	120-300 mm
Material of tensioning strap	StSt
Material of fixing bush	StSt
Material of bracket	StSt
Dimensions of tensioning strap	500 x 25 x 0.3 mm
Max. gust wind speed	150 km/h
Weight	321 g
Customs tariff number	85389099
GTIN	4013364147911
PU	1 Stk

We reserve the right to introduce changes in performance, configuration and technology, dimensions, weights and materials in the course of technical progress. The figures are shown without obligation.