



# RM PV

## Photovoltaic modular fuse holder

for 10 x 85 and 10/14 x 85 gPV 1500 VDC fuses

Fuse protection



RM PV 10/14 x 85  
32 A

### The solution for

- > Small installations up to large scale PV farms



### Strong points

- > Improved safety
- > Product dedicated to PV applications
- > Features and options

### Conformity to standards

- > IEC 60269-2



### Function

RM PV are fuse holders designed for 10 x 85 and 10/14 x 85 cylindrical gPV fuses. They provide safety disconnection and protection against overcurrents caused by the reverse current in DC electrical PV circuits up to 32 A, 1500 VDC. Specific design guarantees a safety isolation of live parts even when the fuse carrier is extracted for fuse replacement.

### Advantages

#### Improved safety

- Rated voltage of 1500 VDC.
- High temperature resistance self-extinguishing and halogen free thermoplastic materials.
- Live parts isolation.

#### Features and options

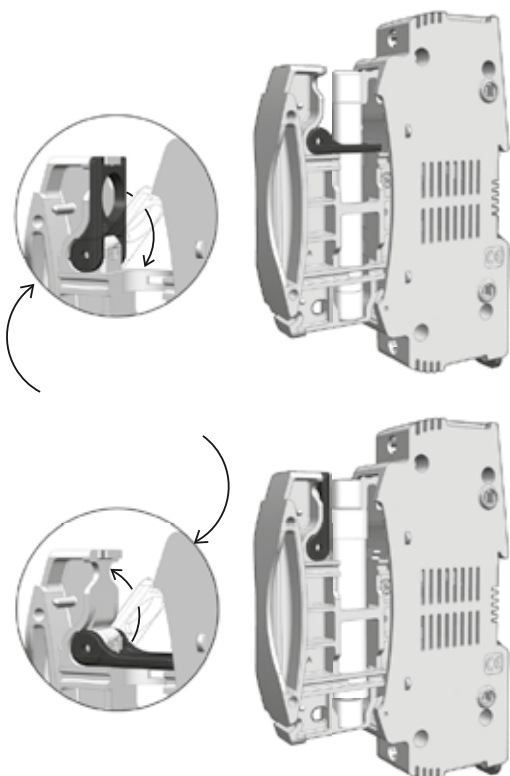
- Optimised ventilation zones and spacings between the poles.
- Padlockable.
- Improved IP accessories.

#### Product dedicated to PV applications

- Protection against reverse currents by using gPV fuses dedicated to photovoltaic applications.
- Designed to be used with up to 32 A gPV fuses.

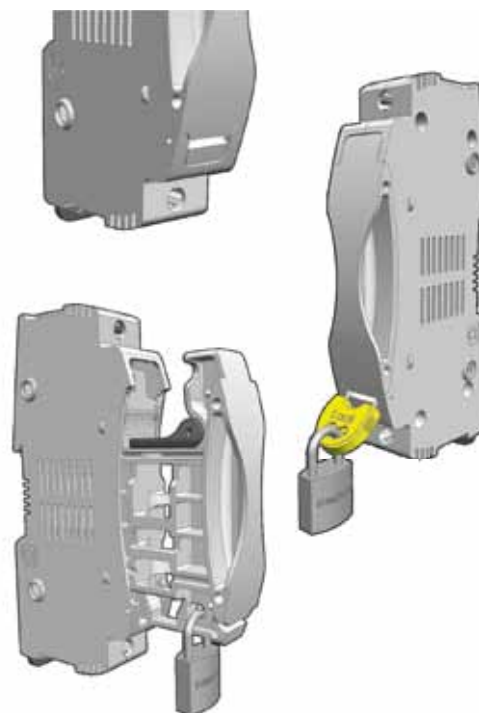
## Functions

### Fuse-link size selector



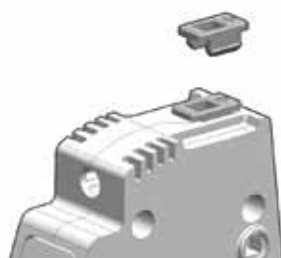
rm-pv\_012\_a\_1\_x\_cat.ai

### Lock of the fuse holder



rm-pv\_013\_a\_cat.psd

### Special IP20 protection



rm-pv\_014\_a\_cat.psd

## References

### RM PV

No of poles	32 A 10 x 85	
	To be ordered in multiple of	Reference
1 P	6	57PV 1085

# RM PV

## Photovoltaic modular fuse holder

for 10 x 85 and 10/14 x 85 gPV 1500 VDC fuses

### Accessories

#### Handle interlocking system

##### Use

For padlock in closed position (padlock not supplied).

Rating (A)	Quantity (units)	Reference
32	5	5701 9040



rm-pv\_015\_a\_cat.psd

#### Coupling system

Rating (A)	Quantity (units)	Reference
32	12	5704 0003 <sup>(1)</sup>

<sup>(1)</sup> One coupling device allows to link two RM. Also sold in bags containing separate components (bag of 100 pieces) for assembling larger quantities. Contact us.



rm-pv\_016\_a\_cat.psd

#### Improved insulation kit

Rating (A)	Reference
32	5701 9010 <sup>(1)</sup>

<sup>(1)</sup> 1 reference = 1 set of 10 couplings.



access\_361\_a.eps

## Characteristics

### Characteristics according to IEC 60269-2

<b>Thermal current <math>I_{th}</math></b>	<b>32 A</b>
Fuse size	10 x 85 or 10/14 x 85
Rated insulation voltage $U_i$ (V)	1500
<b>Fuse Rating</b>	
1500 VDC	32
1000 VAC	32
<b>Power</b>	
Rated dissipated power of the fuse (W/p)	6
Dissipated power of the fuse holder @100% $I_n$ (W/p)	0.5
Dissipated power of the fuse holder @80% $I_n$ (W/p)	0.3
<b>Derating factor of design current for N poles side by side</b>	
1 ... 4	$I_n$
5 ... 6	$0.8 * I_n$
7 ... 9	$0.7 * I_n$
$\geq 10$	$0.6 * I_n$
<b>Design current derating coefficient depending on the temperature</b>	
20°C	1
30°C	0.95
40°C	0.9
50°C	0.8
60°C	0.7
70°C	0.6
<b>Connection</b>	
Minimum Cu cable cross-section (mm <sup>2</sup> )	0.75
Maximum Cu cable cross-section (mm <sup>2</sup> )	16
Tightening torque (Nm)	2.5
<b>Dimensional data</b>	
Weight of 1 P (kg)	0.106

## Dimensions

### RM PV 32 A 1500 VDC

