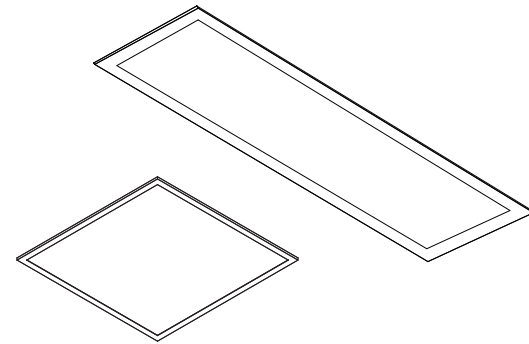


Item Code	Luminaire Description	CCT	kg
542003109200	LEDPanelS-P6 Sq595-30W-DALI-830-U19	3000k	1.96kg
542003109300	LEDPanelS-P6 Sq595-30W-DALI-840-U19	4000k	1.96kg
542003109600	LEDPanelS-P6 Sq620-30W-DALI-830-U19	3000k	2.09kg
542003109700	LEDPanelS-P6 Sq620-30W-DALI-840-U19	4000k	2.09kg
542003109800	LEDPanelS-P6 Sq620-30W-DALI-865-U19	6500k	2.09kg
542003109400	LEDPanelS-P6 Re295-30W-DALI-830-U19	3000k	1.99kg
542003109500	LEDPanelS-P6 Re295-30W-DALI-840-U19	4000k	1.99kg
542003110600	LEDPanelS-P6 Sq595-30W-10V-830-U19	3000k	1.96kg
542003110700	LEDPanelS-P6 Sq595-30W-10V-840-U19	4000k	1.96kg
542003111000	LEDPanelS-P6 Sq620-30W-10V-830-U19	3000k	2.09kg
542003111100	LEDPanelS-P6 Sq620-30W-10V-840-U19	4000k	2.09kg
542003111200	LEDPanelS-P6 Sq620-30W-10V-865-U19	6500k	2.09kg
542003110800	LEDPanelS-P6 Re295-30W-10V-830-U19	3000k	1.99kg
542003110900	LEDPanelS-P6 Re295-30W-10V-840-U19	4000k	1.99kg
542003109900	LEDPanelS-P6 Sq595-30W-BLE2-830-U19	3000k	1.96kg
542003110000	LEDPanelS-P6 Sq595-30W-BLE2-840-U19	4000k	1.96kg
542003110300	LEDPanelS-P6 Sq620-30W-BLE2-830-U19	3000k	2.09kg
542003110400	LEDPanelS-P6 Sq620-30W-BLE2-840-U19	4000k	2.09kg
542003110500	LEDPanelS-P6 Sq620-30W-BLE2-865-U19	6500k	2.09kg
542003110100	LEDPanelS-P6 Re295-30W-BLE2-830-U19	3000k	1.99kg
542003110200	LEDPanelS-P6 Re295-30W-BLE2-840-U19	4000k	1.99kg
542003112000	LEDPanelS-P6 Sq595-34W-DALI-830-U19	3000k	1.96kg
542003112100	LEDPanelS-P6 Sq595-34W-DALI-840-U19	4000k	1.96kg
542003113700	LEDPanelS-P6 Sq595-34W-DALI-940-U19	4000k	1.96kg
542003112400	LEDPanelS-P6 Sq620-34W-DALI-830-U19	3000k	2.09kg
542003112500	LEDPanelS-P6 Sq620-34W-DALI-840-U19	4000k	2.09kg
542003112600	LEDPanelS-P6 Sq620-34W-DALI-865-U19	6500k	2.09kg
542003113900	LEDPanelS-P6 Sq620-34W-DALI-940-U19	4000k	2.09kg
542003112200	LEDPanelS-P6 Re295-34W-DALI-830-U19	3000k	1.99kg
542003112300	LEDPanelS-P6 Re295-34W-DALI-840-U19	4000k	1.99kg
542003113800	LEDPanelS-P6 Re295-34W-DALI-940-U19	4000k	1.99kg
542003112700	LEDPanelS-P6 Sq595-34W-BLE2-830-U19	3000k	1.96kg
542003112800	LEDPanelS-P6 Sq595-34W-BLE2-840-U19	4000k	1.96kg
542003114000	LEDPanelS-P6 Sq595-34W-BLE2-940-U19	4000k	1.96kg
542003114200	LEDPanelS-P6 Sq620-34W-BLE2-940-U19	4000k	2.09kg
542003113100	LEDPanelS-P6 Sq620-34W-BLE2-830-U19	3000k	2.09kg
542003113200	LEDPanelS-P6 Sq620-34W-BLE2-840-U19	4000k	2.09kg
542003113300	LEDPanelS-P6 Sq620-34W-BLE2-865-U19	6500k	2.09kg
542003114200	LEDPanelS-P6 Sq620-34W-BLE2-940-U19	4000k	2.09kg
542003112900	LEDPanelS-P6 Re295-34W-BLE2-830-U19	3000k	1.99kg
542003113000	LEDPanelS-P6 Re295-34W-BLE2-840-U19	4000k	1.99kg
542003114100	LEDPanelS-P6 Re295-34W-BLE2-940-U19	4000k	1.99kg
542098045500*	LEDPanelS-P Suspension-Kit-G6	/	0.16kg
140057770*	LEDPanelRc-SI-Mounting-Springs-595	/	0.13kg

* Accessories should be purchased separately.

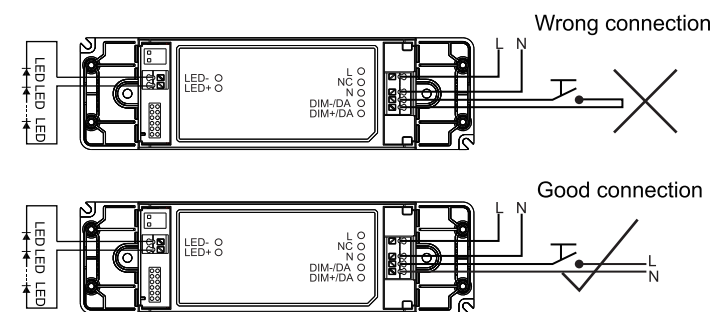


Model Name	A (mm)	B (mm)	C (mm)
LED SPL-RC-P SQ595-30W	595	595	26
LED SPL-RC-P SQ595-34W	595	595	26
LED SPL-RC-P SQ620-30W	620	620	29
LED SPL-RC-P SQ620-34W	620	620	29
LED SPL-RC-P RE295-30W	295	1195	26
LED SPL-RC-P RE295-34W	295	1195	26

Light Source

Product Code	Product Description	N	Light source code	QR Code	Energy Label			
542003109200	LEDPanelS-P6 Sq595-30W-DALI-830-U19	8	LS074003012-01					
542003109600	LEDPanelS-P6 Sq620-30W-DALI-830-U19	8						
542003109900	LEDPanelS-P6 Sq595-30W-BLE2-830-U19	8						
542003110300	LEDPanelS-P6 Sq620-30W-BLE2-830-U19	8						
542003110600	LEDPanelS-P6 Sq595-30W-10V-830-U19	8						
542003111000	LEDPanelS-P6 Sq620-30W-10V-830-U19	8	LS074003015-01					
542003109300	LEDPanelS-P6 Sq595-30W-DALI-840-U19	8						
542003109700	LEDPanelS-P6 Sq620-30W-DALI-840-U19	8						
542003110000	LEDPanelS-P6 Sq595-30W-BLE2-840-U19	8						
542003110400	LEDPanelS-P6 Sq620-30W-BLE2-840-U19	8						
542003110700	LEDPanelS-P6 Sq595-30W-10V-840-U19	8	LS074003412-01					
542003111100	LEDPanelS-P6 Sq620-30W-10V-840-U19	8						
542003112000	LEDPanelS-P6 Sq595-34W-DALI-830-U19	8						
542003112400	LEDPanelS-P6 Sq620-34W-DALI-830-U19	8						
542003112700	LEDPanelS-P6 Sq595-34W-BLE2-830-U19	8						
542003113100	LEDPanelS-P6 Sq620-34W-BLE2-830-U19	8	LS074003415-01					
542003112100	LEDPanelS-P6 Sq595-34W-DALI-840-U19	8						
542003112500	LEDPanelS-P6 Sq620-34W-DALI-840-U19	8						
542003112800	LEDPanelS-P6 Sq595-34W-BLE2-840-U19	8						
542003113200	LEDPanelS-P6 Sq620-34W-BLE2-840-U19	8						
542003113700	LEDPanelS-P6 Sq595-34W-DALI-940-U19	8	LS074003425-01					
542003113900	LEDPanelS-P6 Sq620-34W-DALI-940-U19	8						
542003114000	LEDPanelS-P6 Sq595-34W-BLE2-940-U19	8						
542003114200	LEDPanelS-P6 Sq620-34W-BLE2-940-U19	8						
542003109800	LEDPanelS-P6 Sq620-30W-DALI-865-U19	8				LS074003019		
542003110500	LEDPanelS-P6 Sq620-30W-BLE2-865-U19	8						
542003111200	LEDPanelS-P6 Sq620-30W-10V-865-U19	8						
542003109400	LEDPanelS-P6 Re295-30W-DALI-830-U19	3	LS074003012-02					
542003110100	LEDPanelS-P6 Re295-30W-BLE2-830-U19	3						
542003110800	LEDPanelS-P6 Re295-30W-10V-830-U19	3						
542003109500	LEDPanelS-P6 Re295-30W-DALI-840-U19	3				LS074003015-02		
542003110200	LEDPanelS-P6 Re295-30W-BLE2-840-U19	3						
542003110900	LEDPanelS-P6 Re295-30W-10V-840-U19	3						
542003112200	LEDPanelS-P6 Re295-34W-DALI-830-U19	3	LS074003412-02					
542003112900	LEDPanelS-P6 Re295-34W-BLE2-830-U19	3						
542003112300	LEDPanelS-P6 Re295-34W-DALI-840-U19	3				LS074003415-02		
542003113000	LEDPanelS-P6 Re295-34W-BLE2-840-U19	3						
542003112600	LEDPanelS-P6 Sq620-34W-DALI-865-U19	8						
542003113300	LEDPanelS-P6 Sq620-34W-BLE2-865-U19	8						
542003113800	LEDPanelS-P6 Re295-34W-DALI-940-U19	3	LS074003425-02					
542003113800	LEDPanelS-P6 Re295-34W-DALI-940-U19	3						
542003114100	LEDPanelS-P6 Re295-34W-BLE2-940-U19	3						

TOUCH DIM FUNCTIONALITY (For DALI2 System)

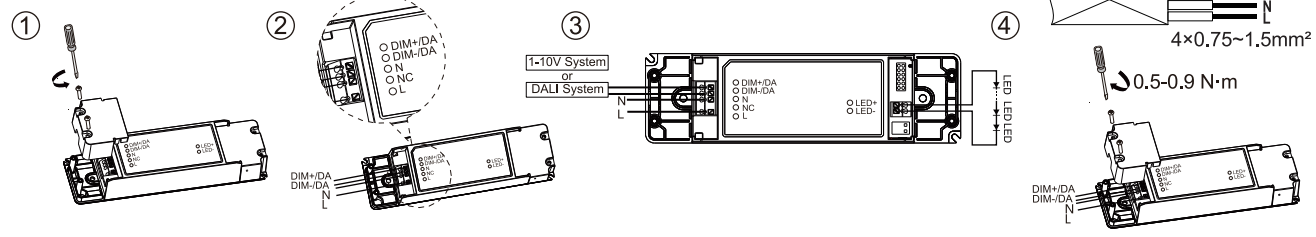


Function	Contact Duration	Reaction
Ignore	< 50ms	Nothing
Short Push	50-500ms	Turn on or off
Long Push	> 500ms	Dimming up or down
Synchronisation	10s	Go to SYNC level, 50%
	20s	Go to SYNC level, 100%

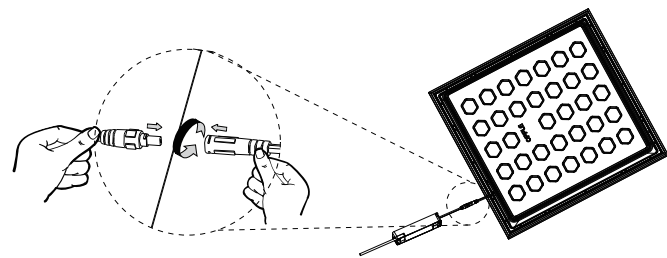
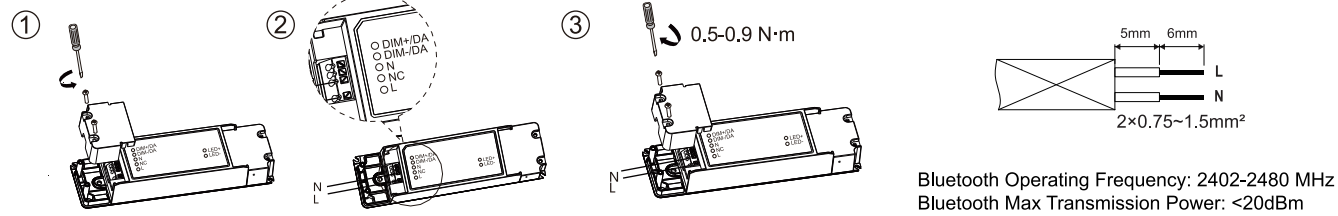
Touch Dim Terminal Consumption: Typical 3mA(220V).

Warning: TD function and DALI function can't be used at the same time, avoid damaging the DALI system by high voltage.

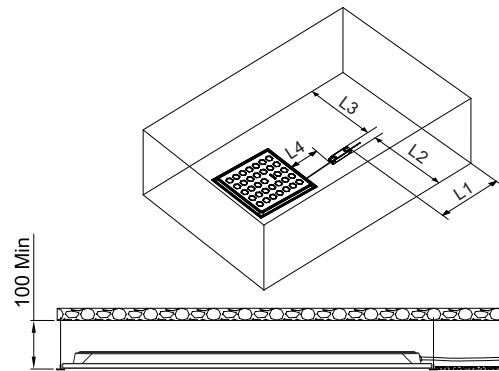
Recessed Mounting (Lay-in) For DALI/10V



For BLE



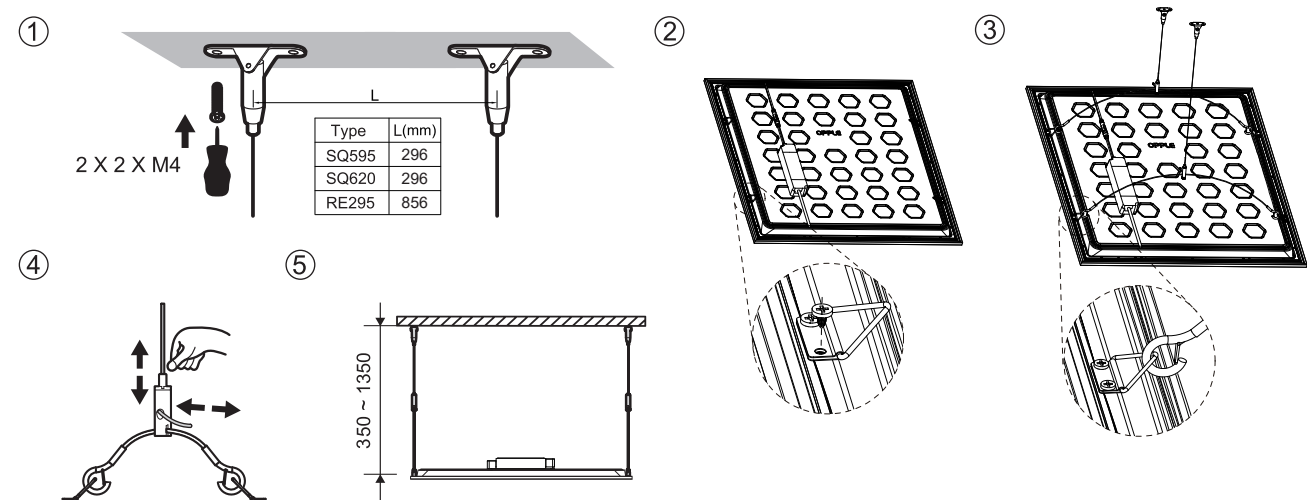
Terminal block not included.
Installation may require advice from a qualified person.
Only use suitable connection boxes with internal terminal blocks conform to EN60998-2-1 or EN60998-2-2. Terminal should be capable for at least 450V 16A, 0.75mm² wiring.



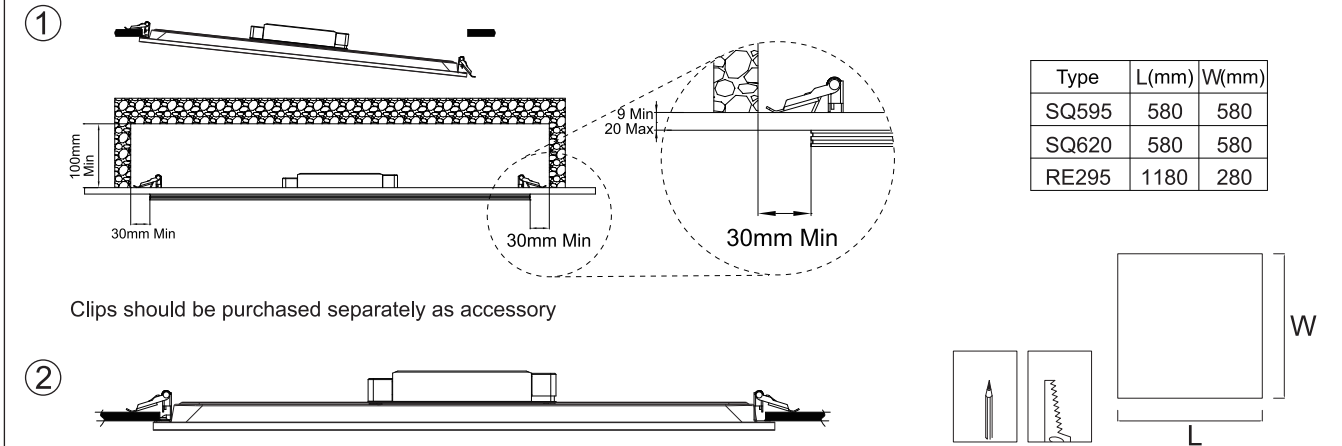
Type	L1(mm)	L2(mm)	L3(mm)	L4(mm)
SQ595				
SQ620	≥500	≥500	≥500	≤450
RE295				

BLE version,
Do not put in a closed metal or cement space.

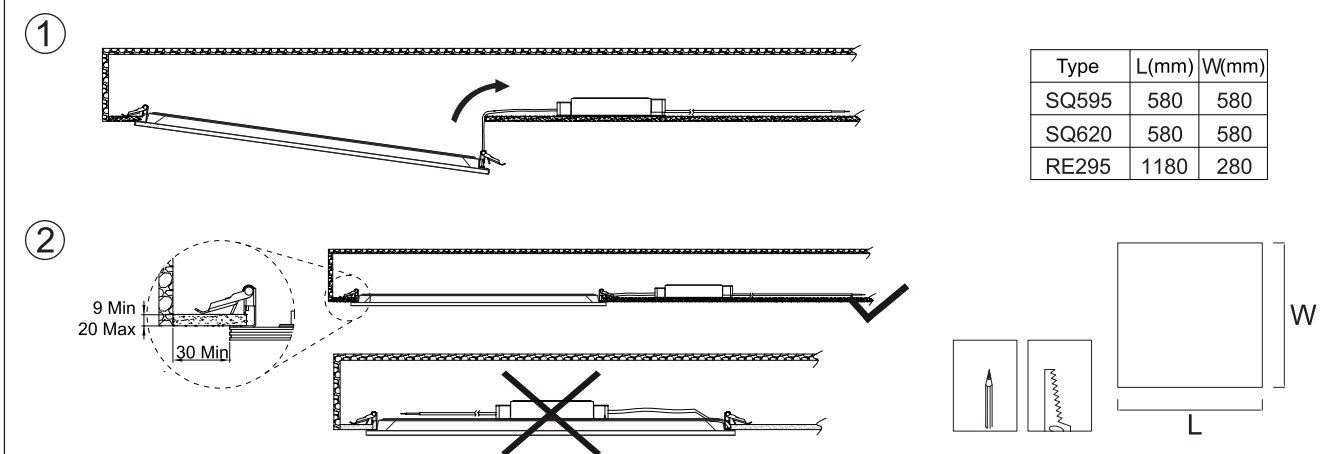
Suspension (Suspension kit to be purchased separately)



Recessed Mounting (Clips) For Static/DALI/10V



For BLE

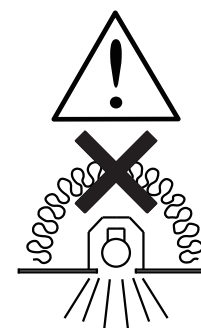


Caution

The luminaire is only suitable for safety extra low voltage supply (<50Va.c.; <120Vd.c.).
The controlgear for the connection panel should be SELV.
It must be basic insulation between FELV and SELV, as is FELV and LV supply for 1-10V and DALI type.

For non-user replaceable light sources:
The light source contained in this luminaire shall only be replaced by the manufacturer or his service agent or a similar qualified person.

Caution: Any operation on LED module is forbidden while power-on.
Zur Vermeidung von Risiken müssen defekte Leitungen ausschließlich vom Hersteller, Inverkehrbringer oder Fachmann ausgetauscht werden.
Achtung: In Betrieb ist keine Arbeit am LED-Modul erlaubt.



Luminaires not suitable for covering with thermally insulating material.
Leuchten sind nicht mit thermisch isolierenden Materialien abzudecken.
In case of damage to the wire, it has to be replaced only by the manufacturer, distributor or by an expert, to avoid risks.



Data subject to change / Les données sont sujettes à modifications / Änderungen vorbehalten

Suzhou Oppl Lighting Co., Ltd.
215200
East Side, Fenyang Road,
Fenhu Economic Development Zone,
Wujiang City, Jiangsu Province,
P.R.China

Oppl Lighting BV
Meerenakkerweg 1-07
5652 AR Eindhoven
The Netherlands
service@oppl.com
www.oppl.com