

# TOUCH DIM WCU



## Wall transmitter Operating instructions

The TOUCH DIM WCU wall transmitter, in combination with a TOUCH DIM RC radio receiver, enables the wireless control of two luminaire groups, each with up to 15 electronic control gears featuring the TOUCH DIM® function.

The wall transmitter can be screwed or glued onto smooth surfaces.

### Function

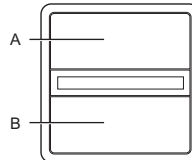
The TOUCH DIM WCU wall transmitter sends radio signals to the radio receiver, which converts these and transmits them to the connected electronic control gears.

The wall transmitter does not require batteries and is absolutely maintenance-free. The necessary transmission energy is generated by an integrated inductive piezo energy converter when the pushbutton is pressed.

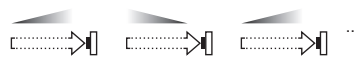
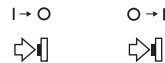
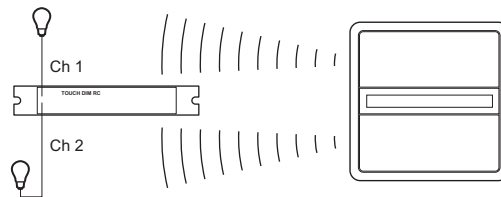
### Design

The wall transmitter is made up of the following components:

- Pushbutton for luminaire group (A) connected to channel 1 (Ch 1) of the radio receiver
- Pushbutton for luminaire group (B) connected to channel 2 (Ch 2) of the radio receiver



## Operation



## Functionality

The radio control system consists of two channels (Ch 1 and Ch 2). The luminaire groups connected to outputs „Ch 1“ and „Ch 2“ of the radio receiver (E) can be independently operated with TOUCH DIM WCU wall transmitters.

Basically, the transmitters can be used to operate all TOUCH DIM/TOUCH DIM sensor functions of OSRAM electronic control gear.

The wall transmitters must be trained in the radio receiver.

Note:

To train the wall transmitters, see the separate instructions of the TOUCH DIM RC radio receiver.

## Switching on and off the luminaires

Via short press.

- Upper button: luminaire group on channel 1 (Ch 1)
- Lower button: luminaire group on channel 2 (Ch 2)

## Changing the brightness

Via long press.

- Upper button: luminaire group on channel 1 (Ch 1)
- Lower button: luminaire group on channel 2 (Ch 2)

Each repeated long key button press causes a toggle between increased brightness and decreased brightness.

## Troubleshooting

If you cannot remedy the fault, please contact the Customer Service department of the luminaire manufacturer.

### Luminaire does not function

No mains voltage present.

→ Use a voltage tester to test if mains voltage is present.

Illuminants are faulty.

→ Replace illuminant.

Luminaire was switched off via the wall-mounted or hand-held transmitter.

→ Switch on luminaire.

### Luminaire does not react as expected to the press of a button.

Wall transmitter has not been trained.

→ Train the wall transmitter.

Radio receiver is too far away from the wall transmitter.

→ Reduce the distance between the wall transmitter and the radio receiver.

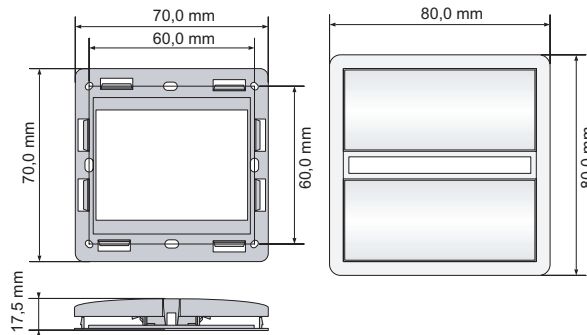
Button on the wall transmitter was pressed too long or too short.

→ See „Changing the brightness manually“.



Technical data

Transmission power	10 mW
Operating temperature	0 °C ... +50 °C
Frequency band	868.3 MHz
Switching cycles	> 50,000
Functional range	In the open air: Approx. 300 m Halls: Approx 100 m Passageways and corridors: Approx. 50 m Rooms with wooden or plasterboard walls: Approx. 30 m (max. 7 walls) Rooms with brick or autoclaved aerated concrete walls: Approx. 20 m (max. 3 walls) Rooms with reinforced concrete walls: Approx. 10 m (max. 1 wall)
Protection type	IP 20
Dimensions (L x W x H)	80 x 80 x 17.5 mm



Dimensioned drawing