

6181 1110	<b>DATA SHEET</b>	
Valid from: 30.08.2019	<b>SILVYN® KLICK-S</b>	

SILVYN® KLICK-S is a conduit holder for protective conduits made of polyamide.  
The SILVYN® KLICK-S is with the SILVYN® KLICK-V and SILVYN® KLICK-D easy to stack and to line as a system.  
The conduit holder can be used in e.g. machine tool industry, apparatus construction or in the automation.



**Material:** Polyamide 6

**Technical Features:**

Nominal wide NW 7 up to NW 48  
Temperature range -40°C up to +105°C

**Additional features:**

Fire classification V2 acc. to UL94  
Free of halogen und phosphorus  
UV-Resistant SILVYN® KLICK-S black

**Colour:** Grey  
Black



**Approbation:**

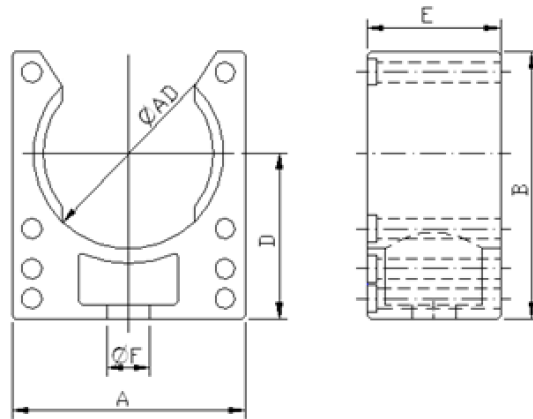
**Suitable conduits:** SILVYN® KLICK-V  
SILVYN® KLICK-D

For more information please see our current catalogue. Please do not hesitate to contact our laboratory if there are any questions regarding resistance against aggressive agents and special oil.

Creator: MAU1/PDP Released: DAMU1/PDP	Document: DB6181110EN Version: 03	Page 1 of 2
--	--------------------------------------	-------------

6181 1110	<b>DATA SHEET</b>	
Valid from: 30.08.2019	<b>SILVYN® KLICK-S</b>	

**Product drawing:**



**Dimension table:**

Part No.	Nominal width NW	ØAD mm	A mm	B mm	D mm	E mm	ØF mm	Weight kg/100
<b>SILVYN® KLICK-S grey</b>								
6181 1110	10	9,5	20,0	18,0	12,0	20,0	4,2	0,40
6181 1120	13	11,5	20,0	23,0	15,5	20,0	5,5	0,47
6181 1130	16	15,5	22,0	26,0	17,1	20,0	5,5	0,56
6181 1190	18	19,0	28,0	33,0	21,1	20,0	6,5	0,80
6181 1140	21	21,5	28,0	33,0	21,4	20,0	6,5	0,77
6181 1150	28	28,5	35,0	40,0	24,8	20,0	6,5	1,16
6181 1160	34	31,5	43,0	45,0	26,8	20,0	6,5	1,12
6181 1170	42	42,5	54,0	53,0	30,8	20,0	6,5	1,50
6181 1180	54	54,5	68,0	66,0	37,8	20,0	6,5	2,00
<b>SILVYN® KLICK-S black</b>								
6181 1115	10	9,5	20,0	18,0	12,0	20,0	4,2	0,40
6181 1125	13	11,5	20,0	23,0	15,5	20,0	5,5	0,47
6181 1135	16	15,5	22,0	26,0	17,1	20,0	5,5	0,56
6181 1195	18	19,0	28,0	33,0	21,1	20,0	6,5	0,80
6181 1145	21	21,5	28,0	33,0	21,4	20,0	6,5	0,77
6181 1155	28	28,5	35,0	40,0	24,8	20,0	6,5	1,16
6181 1165	34	31,5	43,0	45,0	26,8	20,0	6,5	1,12
6181 1175	42	42,5	54,0	53,0	30,8	20,0	6,5	1,50
6181 1185	54	54,5	68,0	66,0	37,8	20,0	6,5	2,00