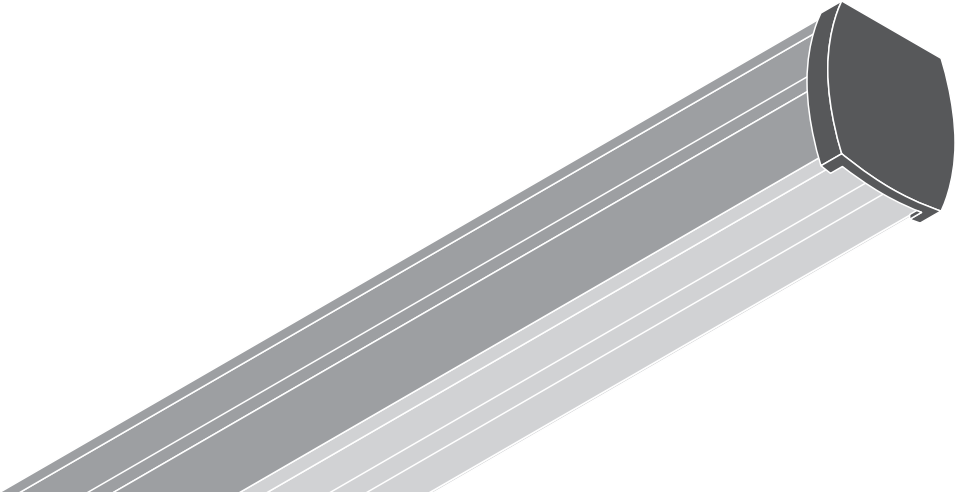
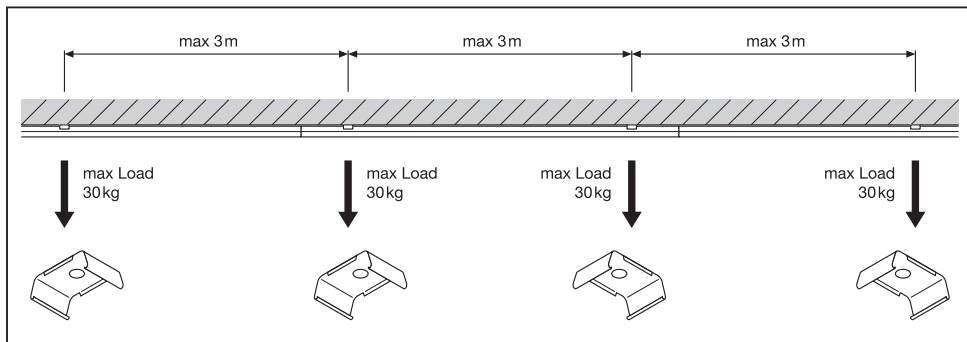
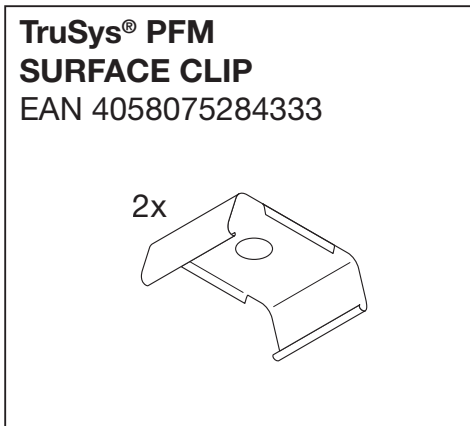
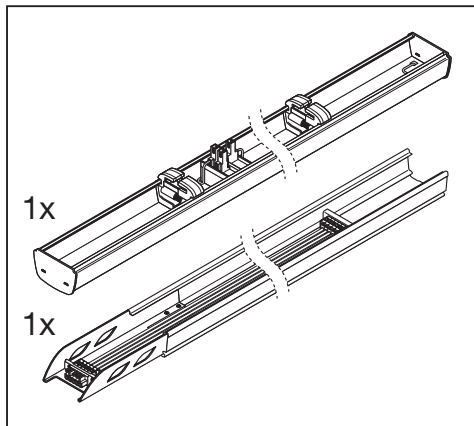


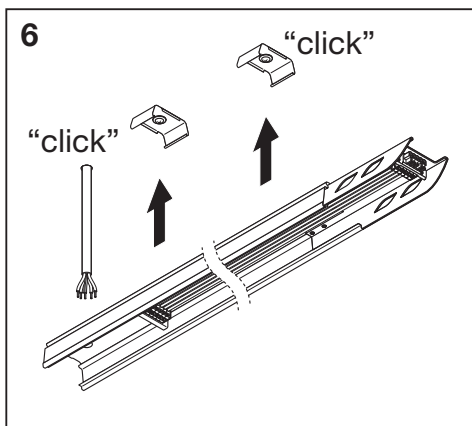
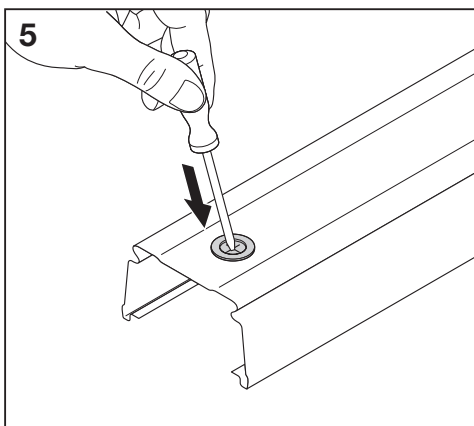
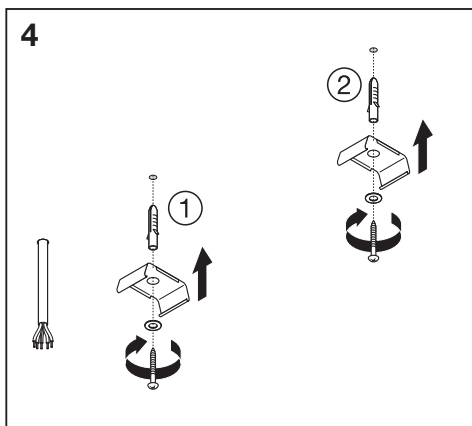
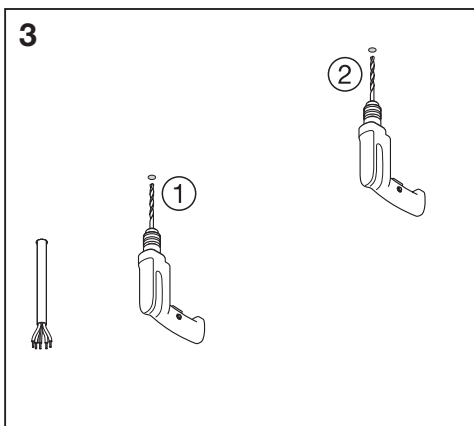
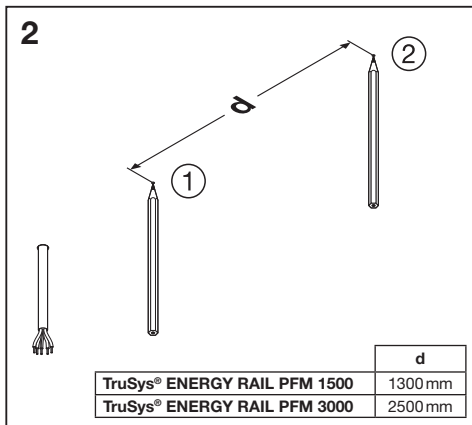
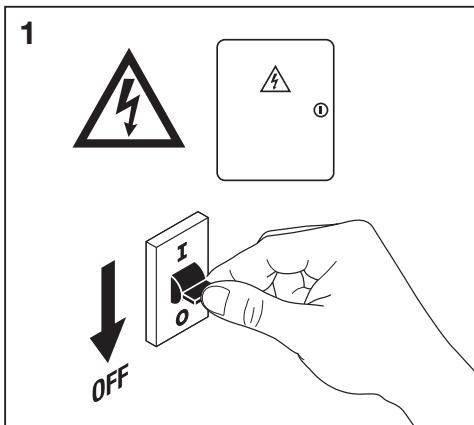
TruSys® TRUNKING SYSTEM PFM ON/OFF



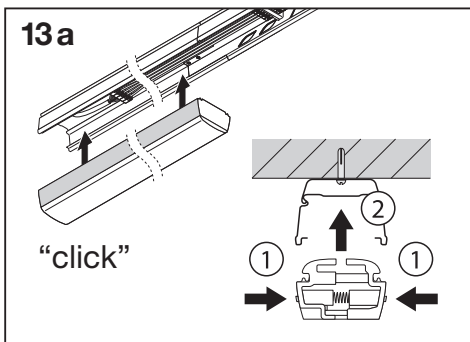
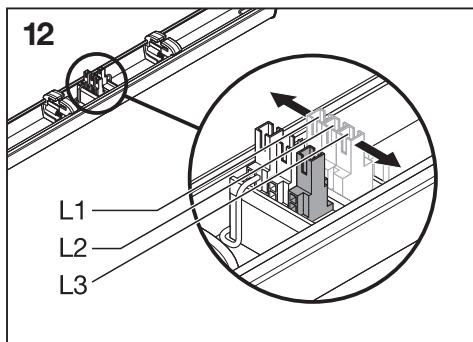
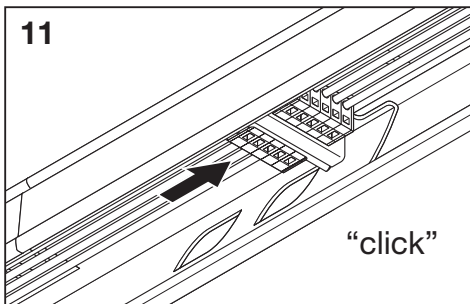
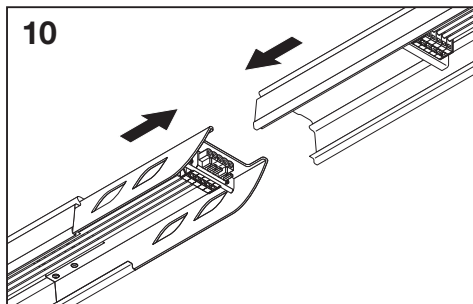
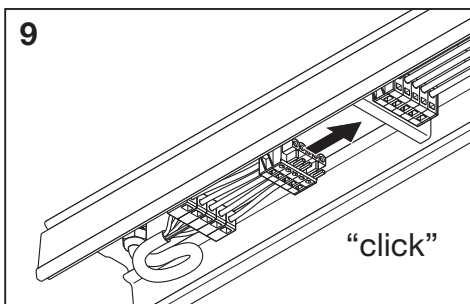
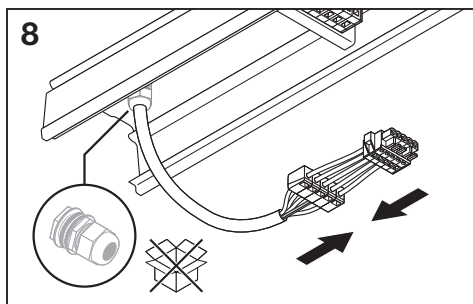
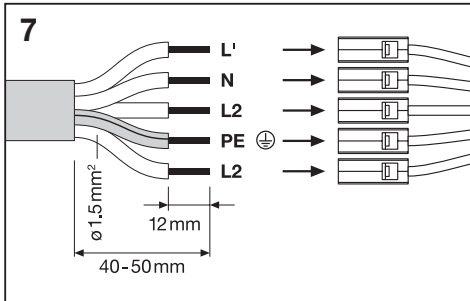
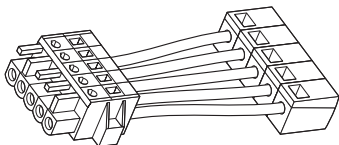
	EAN	l x w x h [mm]	W	VAC	Hz	lm	lm/W
TRUSYS PFM 35W/4000K VW	4058075290921	1500x65.8x77.4	35	220-240V	50/60Hz	5600	160
TRUSYS PFM 50W/4000K VW	4058075398771	1500x65.8x77.4	50	220-240V	50/60Hz	8000	160
TRUSYS PFM 70W/4000K VW	4058075398818	1500x65.8x77.4	70	220-240V	50/60Hz	11200	160
TRUSYS PFM 35W/4000K W	4058075290839	1500x65.8x77.4	35	220-240V	50/60Hz	5600	160
TRUSYS PFM 50W/4000K W	4058075290853	1500x65.8x77.4	50	220-240V	50/60Hz	8000	160
TRUSYS PFM 70W/4000K W	4058075290891	1500x65.8x77.4	70	220-240V	50/60Hz	11200	160
TRUSYS PFM 35W/4000K N	4058075398719	1500x65.8x77.4	35	220-240V	50/60Hz	5600	160
TRUSYS PFM 50W/4000K N	4058075290945	1500x65.8x77.4	50	220-240V	50/60Hz	8000	160
TRUSYS PFM 70W/4000K N	4058075290969	1500x65.8x77.4	70	220-240V	50/60Hz	11200	160
TRUSYS PFM 35W/4000K VN	4058075398696	1500x65.8x77.4	35	220-240V	50/60Hz	5600	160
TRUSYS PFM 50W/4000K VN	4058075398757	1500x65.8x77.4	50	220-240V	50/60Hz	8000	160
TRUSYS PFM 70W/4000K VN	4058075290983	1500x65.8x77.4	70	220-240V	50/60Hz	11200	160
TRUSYS PFM 35W/4000K DS	4058075398733	1500x65.8x77.4	35	220-240V	50/60Hz	5600	160
TRUSYS PFM 50W/4000K DS	4058075398795	1500x65.8x77.4	50	220-240V	50/60Hz	8000	160
TRUSYS PFM 70W/4000K DS	4058075398832	1500x65.8x77.4	70	220-240V	50/60Hz	11200	160
TRUSYS PFM ENERGY RAIL 1500 5P 1x	4058075299566	1650x70.2x38.8	-	-	-	-	-
TRUSYS PFM ENERGY RAIL 1500 5P 10x	4058075299443	1650x70.2x38.8	-	-	-	-	-
TRUSYS PFM ENERGY RAIL 1500 5P E 1x	4058075354753	1500x70.2x38.8	-	-	-	-	-
TRUSYS PFM ENERGY RAIL 1500 5P E 10x	4058045299474	1500x70.2x38.8	-	-	-	-	-
TRUSYS PFM ENERGY RAIL 3000 5P 1x	4058075354777	3150x70.2x38.8	-	-	-	-	-
TRUSYS PFM ENERGY RAIL 3000 5P 10x	4058075299498	3150x70.2x38.8	-	-	-	-	-

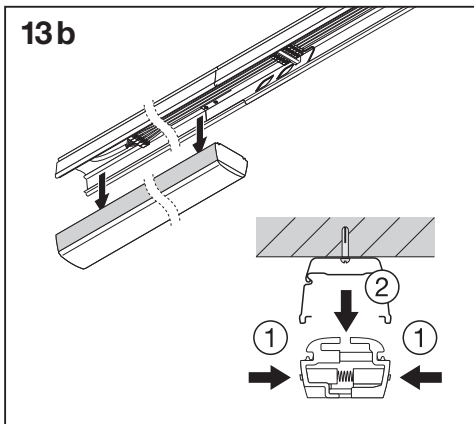
	EAN	K	IP	IK	∠	R _a	°(°C)	PF	⊙	👤
TRUSYS PFM 35W/4000K VW	4058075290921	4000	20	04	120°	≥80	-25...+40	>0.95	-	1.7 kg
TRUSYS PFM 50W/4000K VW	4058075398771	4000	20	04	120°	≥80	-25...+40	>0.95	-	1.7 kg
TRUSYS PFM 70W/4000K VW	4058075398818	4000	20	04	120°	≥80	-25...+40	>0.95	-	1.7 kg
TRUSYS PFM 35W/4000K W	4058075290839	4000	20	04	90°	≥80	-25...+40	>0.95	-	1.7 kg
TRUSYS PFM 50W/4000K W	4058075290853	4000	20	04	90°	≥80	-25...+40	>0.95	-	1.7 kg
TRUSYS PFM 70W/4000K W	4058075290891	4000	20	04	90°	≥80	-25...+40	>0.95	-	1.7 kg
TRUSYS PFM 35W/4000K N	4058075398719	4000	20	04	60°	≥80	-25...+40	>0.95	-	1.7 kg
TRUSYS PFM 50W/4000K N	4058075290945	4000	20	04	60°	≥80	-25...+40	>0.95	-	1.7 kg
TRUSYS PFM 70W/4000K N	4058075290969	4000	20	04	60°	≥80	-25...+40	>0.95	-	1.7 kg
TRUSYS PFM 35W/4000K VN	4058075398696	4000	20	04	30°	≥80	-25...+40	>0.95	-	1.7 kg
TRUSYS PFM 50W/4000K VN	4058075398757	4000	20	04	30°	≥80	-25...+40	>0.95	-	1.7 kg
TRUSYS PFM 70W/4000K VN	4058075290983	4000	20	04	30°	≥80	-25...+40	>0.95	-	1.7 kg
TRUSYS PFM 35W/4000K DS	4058075398733	4000	20	04	2x30°	≥80	-25...+40	>0.95	-	1.7 kg
TRUSYS PFM 50W/4000K DS	4058075398795	4000	20	04	2x30°	≥80	-25...+40	>0.95	-	1.7 kg
TRUSYS PFM 70W/4000K DS	4058075398832	4000	20	04	2x30°	≥80	-25...+40	>0.95	-	1.7 kg
TRUSYS PFM ENERGY RAIL 1500 5P 1x	4058075299566	-	-	04	-	-	-25...+40	-	-	1.6 kg
TRUSYS PFM ENERGY RAIL 1500 5P 10x	4058075299443	-	-	04	-	-	-25...+40	-	-	1.6 kg
TRUSYS PFM ENERGY RAIL 1500 5P E 1x	4058075354753	-	-	04	-	-	-25...+40	-	-	1.3 kg
TRUSYS PFM ENERGY RAIL 1500 5P E 10x	4058045299474	-	-	04	-	-	-25...+40	-	-	1.3 kg
TRUSYS PFM ENERGY RAIL 3000 5P 1x	4058075354777	-	-	04	-	-	-25...+40	-	-	3.3 kg
TRUSYS PFM ENERGY RAIL 3000 5P 10x	4058075299498	-	-	04	-	-	-25...+40	-	-	3.3 kg



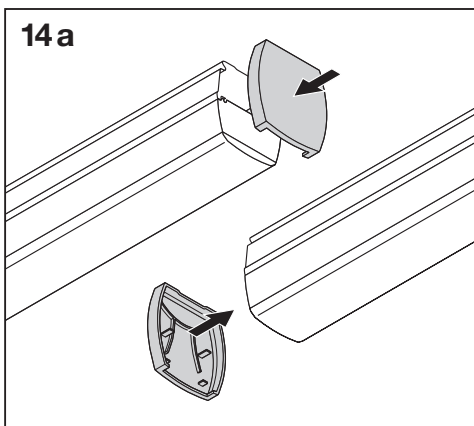
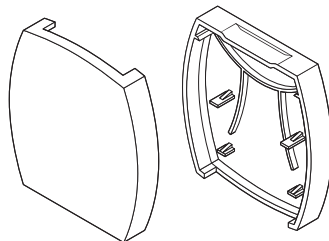


TruSys® PFM
FEED IN 5P
 EAN 4058075284623

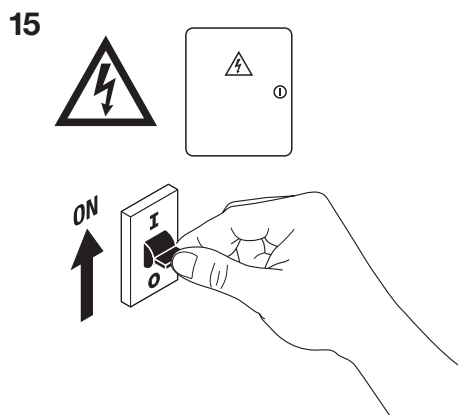
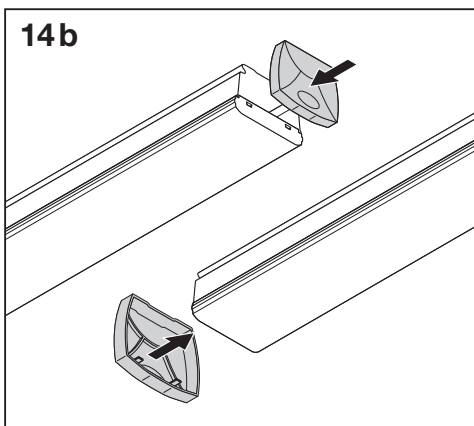
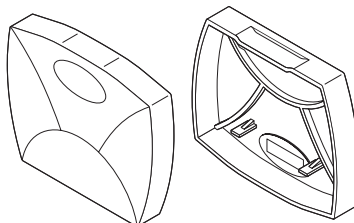




TruSys® PFM
END CAP ENERGY RAIL
EAN 4058075284319

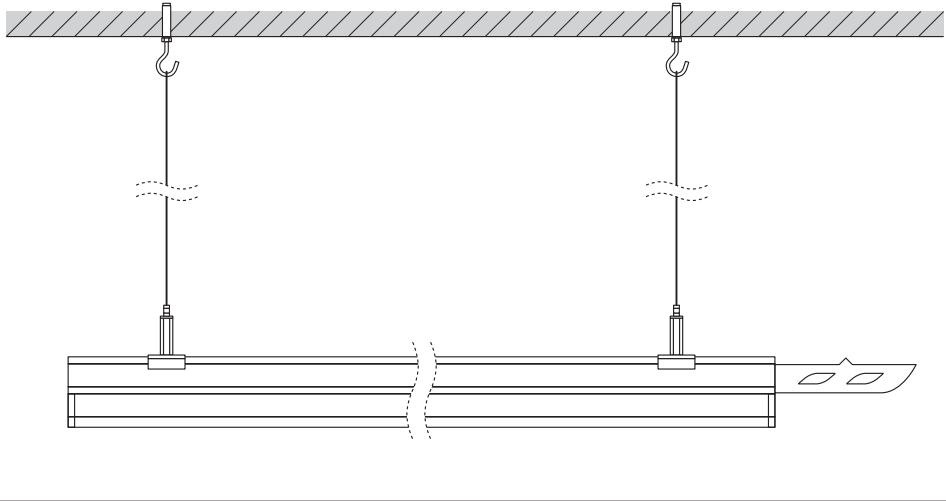
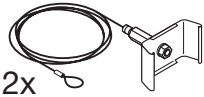


TruSys® PFM
END CAP LOW ENERGY RAIL
EAN 4058075464926



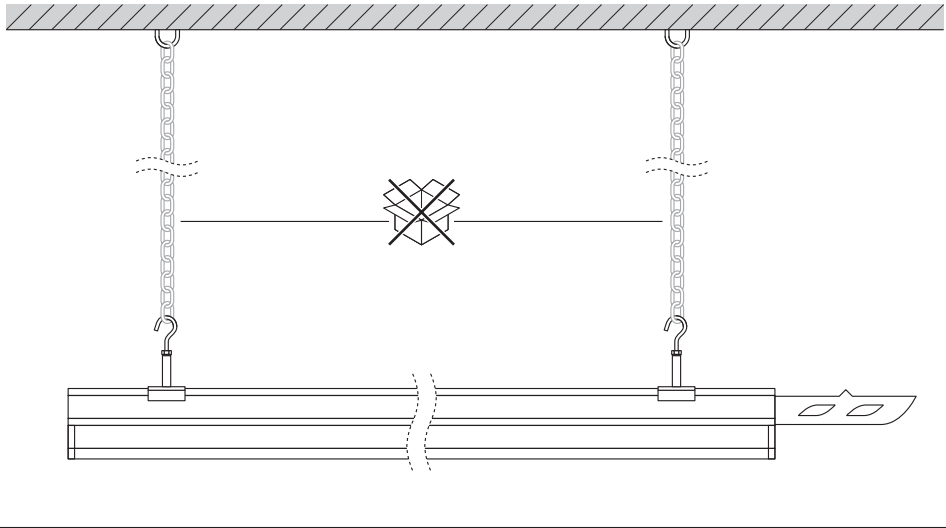
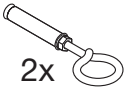
TruSys® PFM SUSPENSION KIT

EAN 4058075284234



TruSys® PFM CHAIN KIT

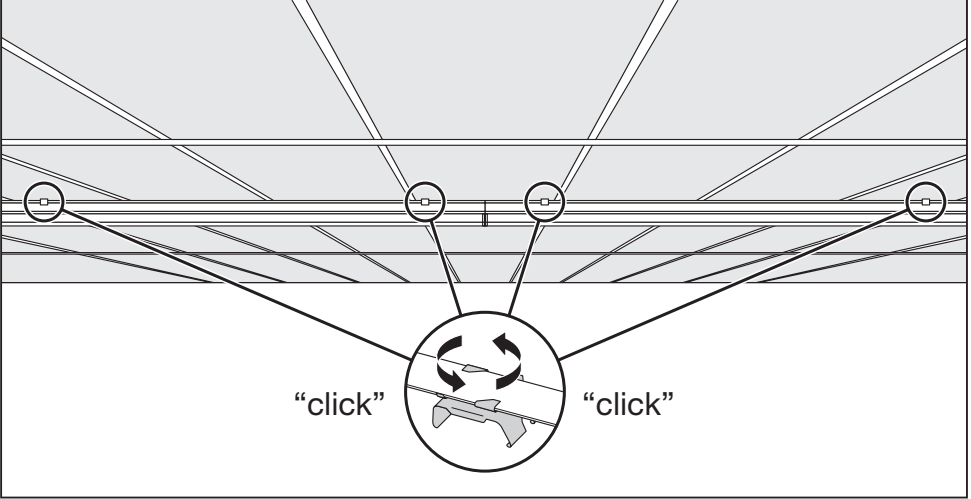
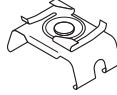
EAN 4058075284258



TruSys® PFM GRID CEILING CLIP

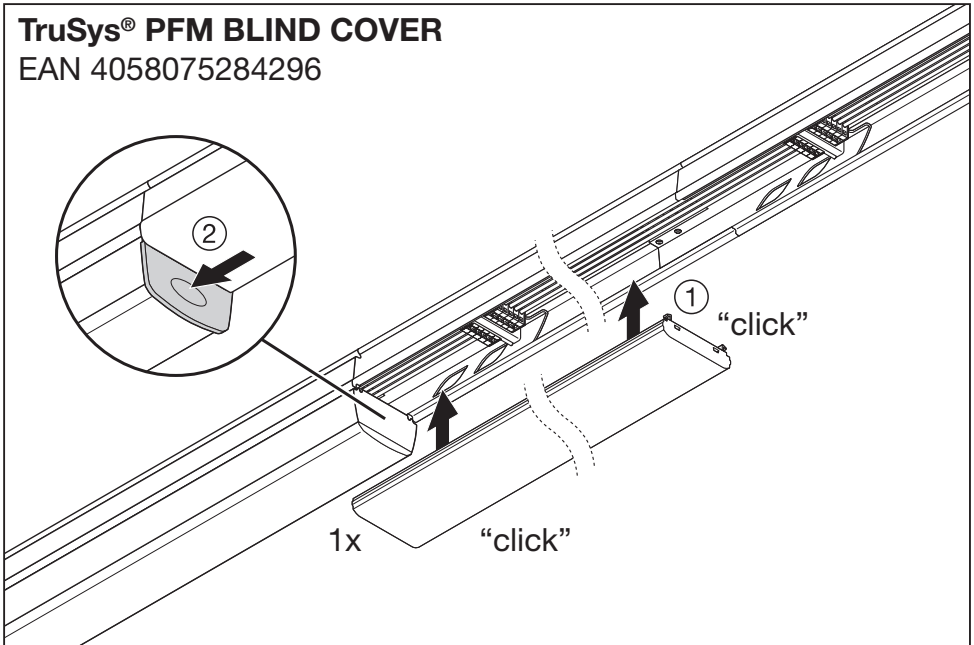
EAN 4058075284609

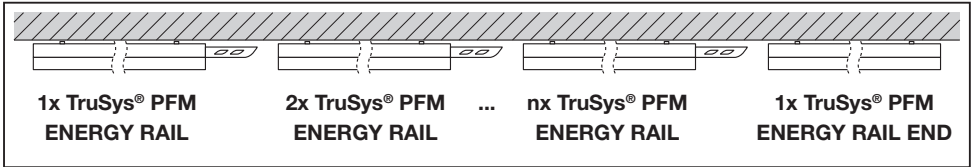
2x

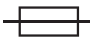


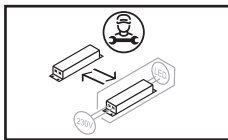
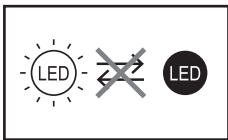
TruSys® PFM BLIND COVER

EAN 4058075284296





	C10 A	B16 A	C16 A	Inrush current	Inrush Charge Time Th50
TRUSYS PFM 35W/4000K	12	13	19	25 A	220 μ s
TRUSYS PFM 50W/4000K	8	8	13	30 A	265 μ s
TRUSYS PFM 70W/4000K	5	5	9	32 A	400 μ s



C10449058
G11093100V2
31.03.21



LEDVANCE GmbH
Steinerne Furt 62
86167 Augsburg, Germany
www.ledvance.com