

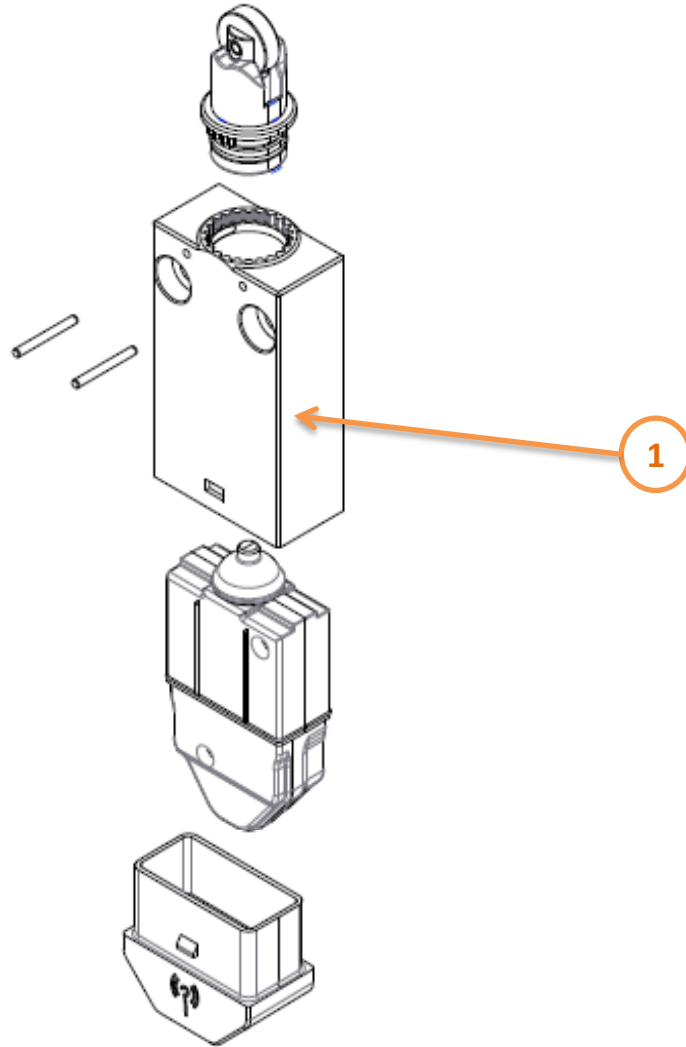
# Product End of Life Instructions

## Wireless limit switch XCMW- roller plunger





## End of Life Instructions



Recommendation	Number on drawing	Component / Material	Weight (in g)	Comment
To be depolluted	1	Plastic body with brominated fire retardant	12,43 g	



## Product description

Manufacturer identification	Schneider Electric Industries SAS
Brand name	Telemecanique
Product function	XCMW102 is the most miniature and cost effective of wireless and battery-less limit switches. Its purpose is to transmit a signal. It is compatible with operation under harsh industrial environments: - IP65 following IEC60529 - IK04 following IEC62262
Product reference	XCMW102
Additional similar product references	XCMW102 XCMW110 XCMW115 XCMW116 XCMW145 XCMWD02 XCMWD15 XCMW245 XCMWD15SI1 XCMW115R0
Total representative product mass	46,7 g
Representative product dimensions	84 mm x 30 mm x 16 mm
Date of information release	09/2019



## Additional information

### Legal information

The product family must be disposed according to the legislation of the country. This document is intended for use by end of life recyclers or treatment facilities. It provides the basic information to assure an appropriate end of life treatment for the components and materials of the product.

### Recyclability potential

**30%**

Based on "ECO'DEEE recyclability and recoverability calculation method" (version V1, 20 Sep. 2008 presented to the French Agency for Environment and Energy Management: ADEME).

*Schneider Electric Industries SAS*

*Country Customer Care Center*  
<http://www.schneider-electric.com/contact>

*35, rue Joseph Monier*

*CS 30323*

*F- 92506 Rueil Malmaison Cedex*

*RCS Nanterre 954 503 439*

*Capital social 896 313 776 €*

[www.schneider-electric.com](http://www.schneider-electric.com)

ENVEOL1905010EN\_V1

Published by Schneider Electric

© 2019 - Schneider Electric – All rights reserved

09/2019