

<b>DATA SHEET</b>	CE9135
Splice Box 19" 1HE for 12XSC Dupl. clut	Valid from: 26.03.2018

**Description**

- Optical fiber Splice Box 19" 1HE unassembled with sliding unit
- various front panels with quick lock



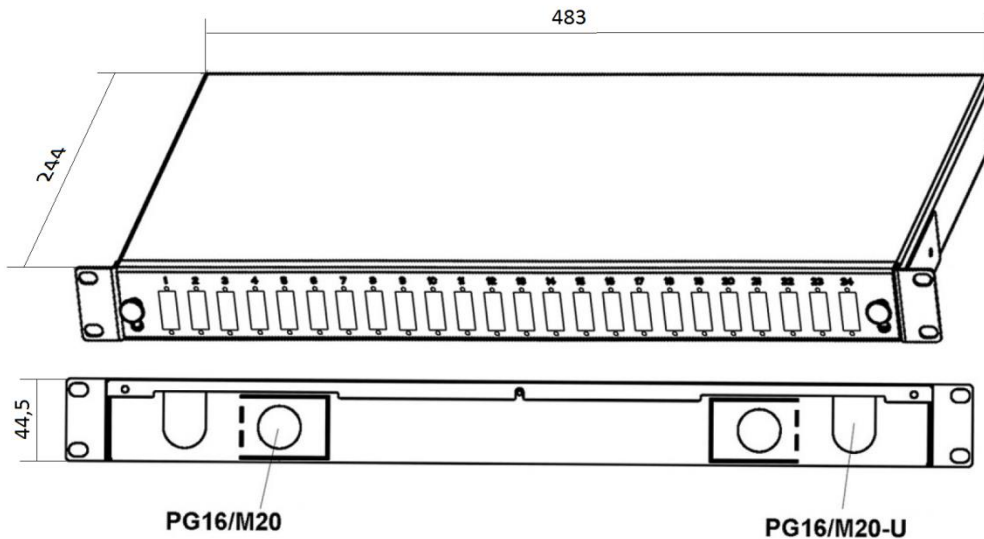
**General characteristics**

Cable entry	backsided (2x PG16/M20, 2x PG16/M20-U)
Mountable splice cassettes (max.)	4
Colour	RAL7035 (light grey)
Material	1.5 mm steel sheet

**Variation**

Article	Description	Cut-out (front)
CE9135	Splice Box 19" 1HE for 12XSC Dupl. clut	12 x SC-D acc. IEC 61754-4
CE9138	Splice Box 19" 1HE for 12XST-clut	12 x ST acc. IEC 61754-2
CE9139	Splice Box 19" 1HE for 24XST-clut	24 x ST acc. IEC 61754-2

**Technical drawing**



**Application range**

Office, industrial machinery and plant engineering

**Note**

Photographs are not true to scale and do not represent detailed images of the respective products.