

**Safety Information**

Electrical equipment should be installed, operated, serviced, and maintained only by qualified personnel. No responsibility is assumed by Schneider Electric for any consequences arising out of the use of this material.



**Esmi Impresia White VAD Wall Mounted Sounder**

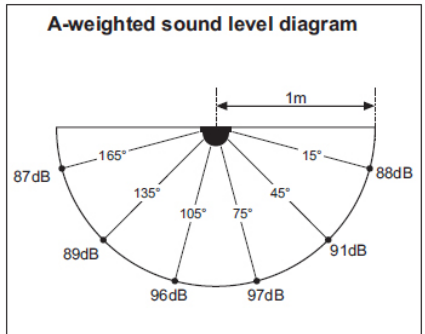
Esmi Impresia White VAD Wall Mounted Sounder (FFS06741015) is an addressable wall mounted sounder and strobe with a built-in isolator module designed for installing in addressable fire alarm systems with Esmi ELC loop controller supporting Schneider Electric communication protocol. Esmi Impresia VAD has a white body and a white flash. The device is compatible with fire base Esmi Impresia Standard Base (FFS06741018). EN 54-3 for indoor use. The address setting is done by the panel, QR code or handheld addressing device. The address range is 1-250.

For more technical information visit [www.se.com](http://www.se.com).

**Installation Instructions**

**Note:** Collect the QR code stickers from the devices if QR codes are used for addressing of the devices.

1. Follow the applicable local and national installation codes and regulations. Choose the proper place for installation of the device.
2. Turn power off the loop circuit before installing the sounder.
3. Set the module address using programmer or directly from addressable fire panel.
4. Mount the fire base on the ceiling or on the wall of the protected premises using fixings according the mounting surface.
5. Connect the base to the fire panel using the wiring diagram.
6. Insert the device into the base and rotate clockwise until it drops into place - the short mark on the base fits with that on the sounder body. Continue to rotate the sounder until its mark coincides with the long mark on the base - a click is heard.
7. Program the device parameters.
8. Test the sounder for proper operation.

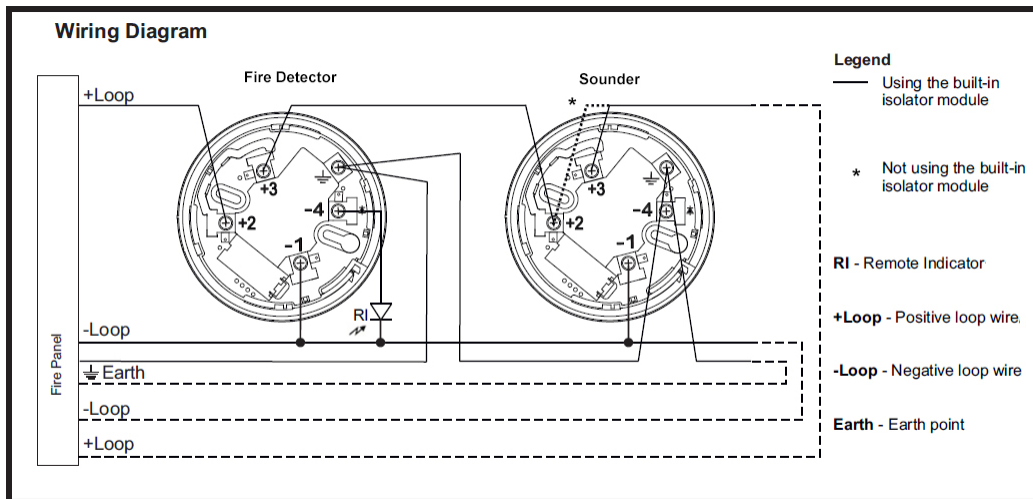
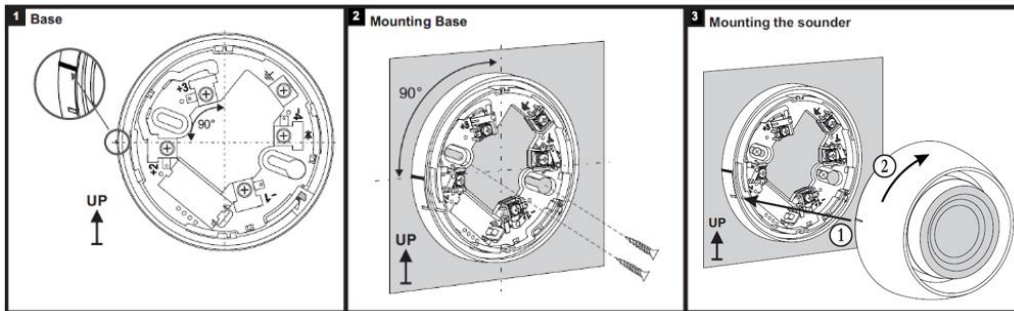


**Installation**

- IP21C
- 10°C + +50°C
- ~183g
- Indoor use
- Outdoor use

**Visual Alarm Device (VAD) EN54-23**

Indoor use  Outdoor use



CE<sub>21</sub>  
1293  
DoP No: DP20031  
Made in Bulgaria  
EN 54-3:2001/A2:2006  
EN 54-17:2005/AC:2007  
EN 54-23:2010  
Fire alarm devices - Visual alarm device (VAD) intended for use in and around buildings

Sounder Type: A  
Coverage volume: Open class

**Technical Specifications**

Operating Voltage Range. . . . . 16 - 32VDC (Nom. 27VDC)  
 Nominal consumption (stand-by) . . . . . <500µA@27VDC  
 Maximal consumption (main tone type 27):  
 - low volume level, sound only . . . . . <5mA  
 - low volume level, sound and strobe . . . . . <12mA  
 - high volume level, sound only . . . . . <16,5mA  
 - high volume level, sound and strobe . . . . . <22mA  
 Maximal consumption (other tone types):  
 - low volume level, sound only . . . . . <4mA  
 - low volume level, sound and strobe . . . . . <11mA  
 - high volume level, sound only . . . . . <10mA  
 - high volume level, sound and strobe . . . . . <16,5mA  
 Consumption with activated isolator. . . . . <15mA  
 Power volume (main tone type 27):  
 - low volume . . . . . ~ 80dB (A) ± 6dB @ 1m  
 - high volume. . . . . ~ 92dB (A) ± 5dB @ 1m  
 Power volume (other tone types):  
 - low volume . . . . . 75-85dB ± 3dB @ 1m  
 - high volume. . . . . 80-95dB ± 3dB @ 1m  
 Number of tone types. . . . . 32  
 Wire Gauge for terminals . . . . . 2.5mm<sup>2</sup>  
 Relative humidity resistance . . . . . (93 ± 3)% @ 40°C  
 Color. . . . . white transparent  
 Material . . . . . SAN  
 Dimensions (without base). . . . . 116x55mm  
 Supported communication protocol . . . . . Esmi ELC

**Isolator module technical specifications**

Maximum line voltage (*Vmax*) . . . . . 32V  
 Nominal line voltage (*Vnom*) . . . . . 28V  
 Minimum line voltage (*Vmin*) . . . . . 15V  
 Maximum voltage at which the device isolates (*Vso max*)\*. . . . . 7,5V  
 Minimum voltage at which the device isolates (*Vso min*)\* . . . . . 5,9V  
 Maximum voltage at which the device reconnects (*Vsc max*)\*\* . . . . . 6,7V  
 Minimum voltage at which the device reconnects (*Vsc min*)\*\* . . . . . 5V  
 Maximum rated continuous current with the switch closed (*Ic max*) . . . . . 0,7V  
 Maximum rated switching current (e.g. under short circuit) (*Is max*) . . . . . 1,8V  
 Maximum leakage current with the switch open (isolated state) (*Ii max*) 16mV  
 Maximum series impedance with the switch closed (*Zc max*) . . . . . 0.12Ω@28VDC and 0.15Ω@16VDC  
 \* Note: Switches from closed to open  
 \*\* Note: Switches from open to closed

Essential characteristics	Performance
Performance under fire conditions	Pass
Operational reliability	Pass
Duration of operation	Pass
Provision for external conductors	Pass
Flammability of materials	Pass
Enclosure protection	Pass
Access	Pass
Manufacturer's adjustments	Pass
On-site adjustments of behavior	Pass
Requirements for software controlled devices	Pass
Coverage volume	Pass
Variation of light output	Pass
Min. and max. light intensity	Pass
Light color	White
Light temporal pattern/frequency of flashing	Pass
Marking and data	Pass
Synchronization	Pass
<b>Durability:</b>	
Temperature resistance	Pass
Humidity resistance	Pass
Shock and vibration resistance	Pass
Corrosion resistance	Pass
Resistance to ingress	Pass
Electrical stability	Pass

Tone	Tone Type	Tone Description/Application
1		970Hz
2		800Hz/970Hz @ 2Hz
3		800Hz - 970Hz @ 1Hz
4		970Hz 1s OFF/1s ON
5		970Hz, 0.5s/ 630Hz, 0.5s
6		554Hz, 0.1s/ 440Hz, 0.4s (AFNOR NF S 32 001)
7		500 - 1200Hz, 3.5s/ 0.5s OFF (NEN 2575:2000)
8		420Hz 0.625s ON/0.625s OFF (Australia AS1670 Alert tone)
9		500 - 1200Hz, 0.5s/ 0.5s OFF x 3/1.5s OFF (AS1670 Evacuation)
10		550Hz/440Hz @ 0.5Hz
11		970Hz, 0.5s ON/0.5s OFF x 3/ 1.5s OFF (ISO 8201)
12		2850Hz, 0.5s ON/0.5s OFF x 3/1.5s OFF (ISO 8201)
13		1200Hz - 500Hz @ 1Hz (DIN 33 404)
14		400Hz
15		550Hz, 0.7s/1000Hz, 0.33s
16		1500Hz - 2700Hz @ 3Hz
17		750Hz
18		2400Hz
19		660Hz
20		660Hz 1.8s ON/1.8s OFF
21		660Hz 0.15s ON/0.15s OFF
22		510Hz, 0.25s/ 610Hz, 0.25s
23		800/1000Hz 0.5s each (1Hz)
24		250Hz - 1200Hz @ 12Hz
25		500Hz - 1200Hz @ 0.33Hz
26		2400Hz - 2900Hz @ 9Hz
27*		2400Hz - 2900Hz @ 3Hz 2500Hz (main sound frequency)
28		800Hz - 970Hz @ 100Hz
29		800Hz - 970Hz @ 9Hz
30		800Hz - 970Hz @ 3Hz
31		800Hz, 0.25s ON/1s OFF
32		600Hz - 1100Hz, 2.6s/0.4s OFF

\* Note: Approved to EN 54-3 only!