

# Product End-of-Life Instructions

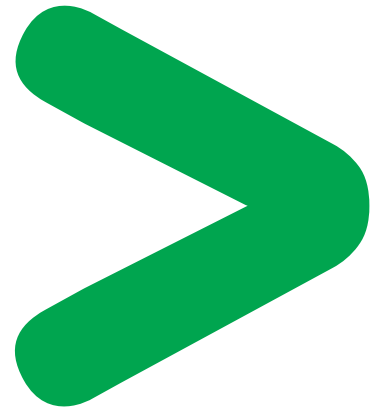
ALTISTART 22 110 – 315 kW

## Product Range

ALTISTART 22 110 – 315 kW

## Marketing Model

ATS22C21Q and all models of range: ALTISTART 22 110 – 315 kW



## Size in mm (or m):

W x H x D : 150 x 229 x 356

## Weight (excluding packaging) in kg (or g):

18200 g



**Schneider**  
Electric

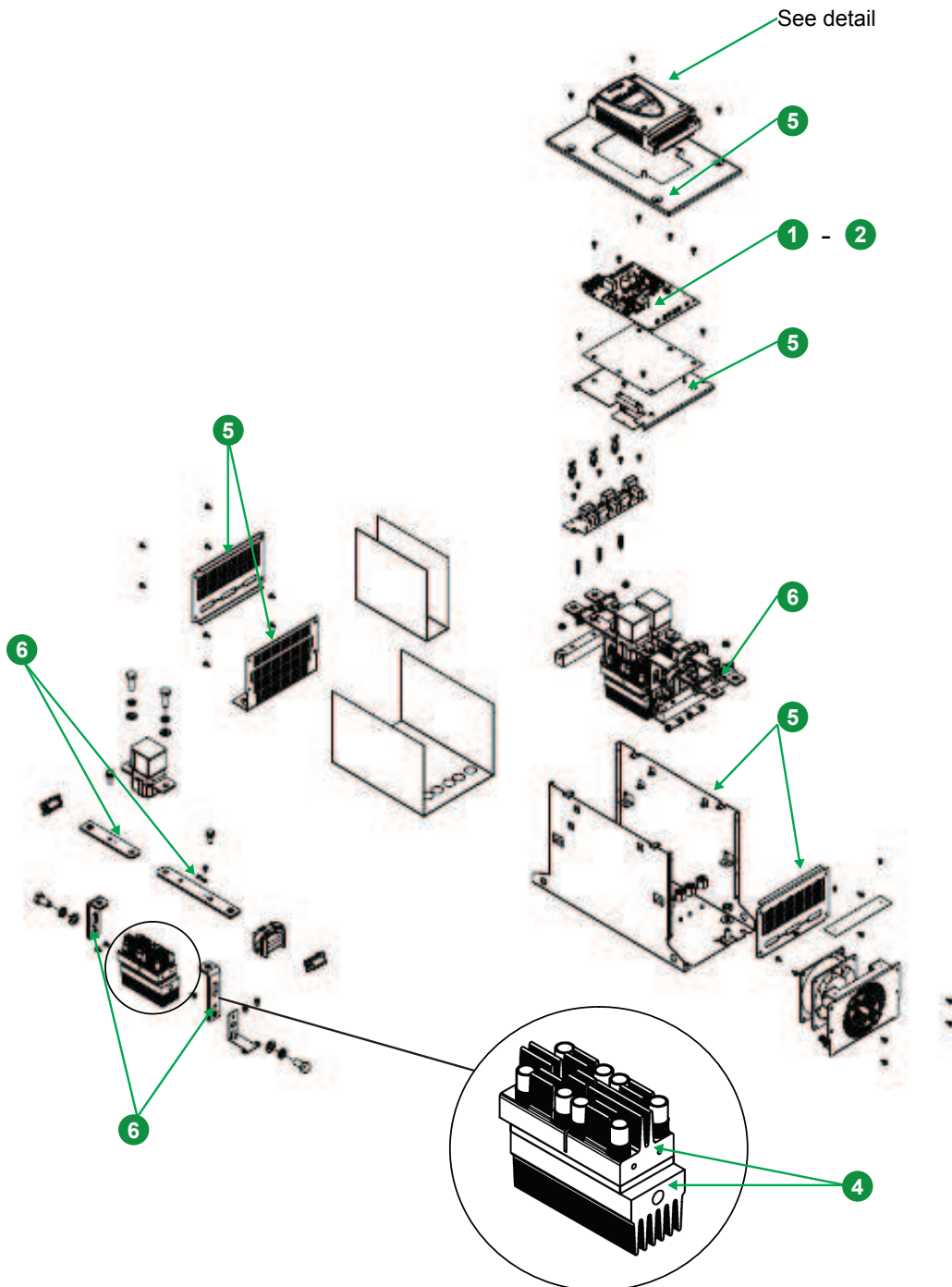
## Operations recommended for the end of life treatment

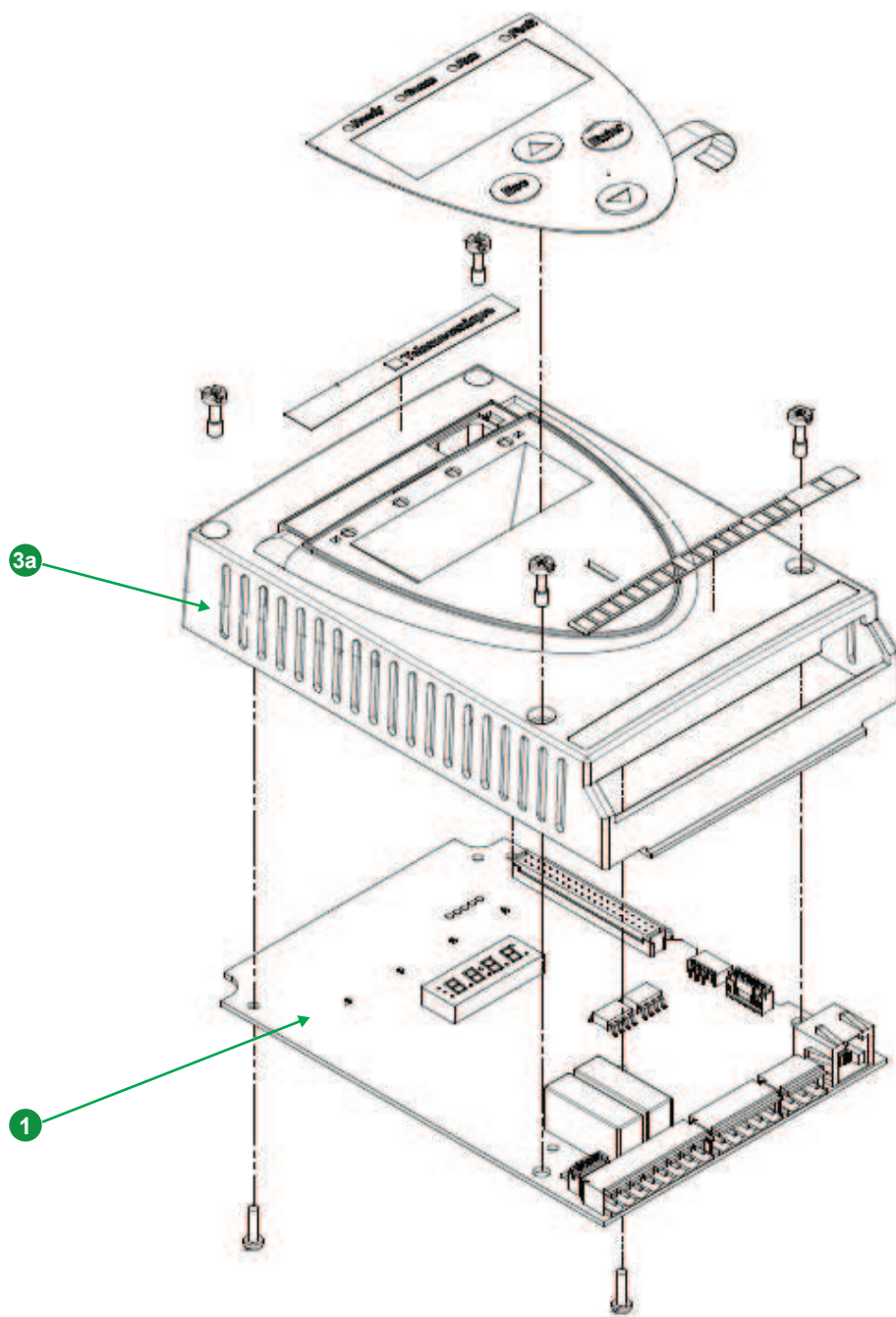
There are several steps to process the products at the end of life so as to recover components, materials or energy:

**Reuse ⇒ Depollution ⇒ Dismantling ⇒ Shredding**

The components of the products that are recommended to be depolluted (according to the WEEE 2002/96/EC list) or that are recommended to be re-used or dismantled so as to improve the material recovery or that lead to some hazards are listed, identified and located hereunder.

This ATS22 contains electrolytic capacitors which may cause electrical shock during the end of life treatment process. **BEFORE SERVICING, REMOVE ALL POWER and WAIT 15 MINUTES.**





| Types of Components  | Number on drawing | Components description                   |
|--|-------------------|--|
| Components listed for operating hazards  | 2                 | Electrolytic capacitors                  |
| Components listed for reuse  | None              | None                                     |
| Components listed for depollution  | 1                 | Printed Circuit Board Assembly (PCBA)    |
|  | 2                 | Electrolytic capacitors                  |
| Components listed for dismantling operation which improves the recycling performance | 3a                | Plastic parts > PC FR <                  |
|  | 3b                | Plastic parts > PA66 GF25 <              |
|  | 4                 | Aluminium heatsink                       |
|  | 5                 | Steel plated with Zinc or Zinc+Aluminium |
|  | 6                 | Copper bars                              |

**Schneider Electric Industries SAS**

35, rue Joseph Monier  
CS30323  
F - 92506 Rueil Malmaison Cedex

RCS Nanterre 954 503 439  
Capital social 896 313 776 €  
www.schneider-electric.com

The version of the Guide used to create the document: End of Life Instruction Drafting Guide of Schneider Electric version V1.

Publication : Schneider Electric