



ClearAccent

RS061B LED5-36-/840 PSR II WH

840 neutral white - Power supply unit regulating - Safety class II
- White

ClearAccent is an entry-level recessed spot range designed to replace halogen-based luminaires. Its attractive price and high lumen per watt ratio make the decision to switch to LED an easy one. The luminaire's compact design, with built-in driver, is suitable for a wide variety of applications. The dimensions of the fixation hole meet the old halogen-based standard of 68 mm, which makes retrofitting possible. Thanks to the screw-in connectors, installation is easy and safe. These spotlights are fully IC compliant.

Product data

General Information		Operating and Electrical	
Light source color	840 neutral white	Input Voltage	220-240 V
Light source replaceable	No	Input Frequency	50 to 60 Hz
Gear	-	Power Factor (Min)	0.9
Driver/power unit/transformer	Power supply unit regulating	Controls and Dimming	
Optic type	Symmetrical	Dimmable	Yes
Luminaire light beam spread	36°	Mechanical and Housing	
Control interface	Analog	Housing Material	Aluminum die cast
Connection	Screw connection block 3-pole	Reflector material	Polycarbonate aluminum coated
Cable	-	Optic material	Polycarbonate
Protection class IEC	Safety class II	Optical cover/lens material	Polycarbonate
CE mark	CE mark	Fixation material	-
Warranty period	3 years	Optical cover/lens finish	Clear
Constant light output	No	Overall length	55 mm

Overall width	55 mm
Overall height	55 mm
Overall diameter	80 mm
Color	White
Dimensions (Height x Width x Depth)	55 x 55 x 55 mm (2.2 x 2.2 x 2.2 in)

Approval and Application

Ingress protection code	IP20 [Finger-protected]
Mech. impact protection code	IK02 [0.2 J standard]

Initial Performance (IEC Compliant)

Initial luminous flux (system flux)	500 lm
Luminous flux tolerance	+/-10%
Initial LED luminaire efficacy	83 lm/W
Init. Corr. Color Temperature	4000 K
Init. Color Rendering Index	≥80
Initial chromaticity	(0.38, 0.38) SDCM <3
Initial input power	6 W

Power consumption tolerance	+/-10%
-----------------------------	--------

Application Conditions

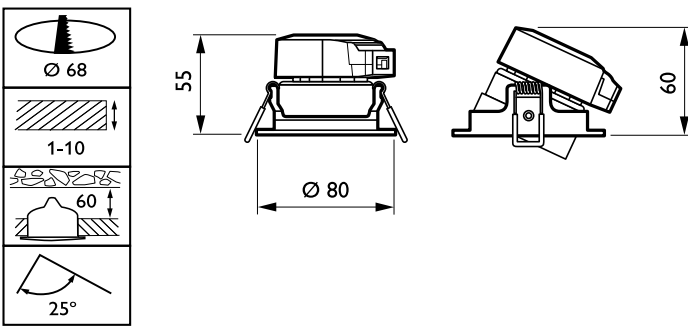
Ambient temperature range	0 to +40 °C
---------------------------	-------------

Product Data

Full product code	87186960727099
Order product name	RS061B LED5-36-/840 PSR II WH
EAN/UPC - Product	8718696072707
Order code	910503910185
Numerator - Quantity Per Pack	1
Numerator - Packs per outer box	24
Material Nr. (12NC)	910503910185
Net Weight (Piece)	0.110 kg

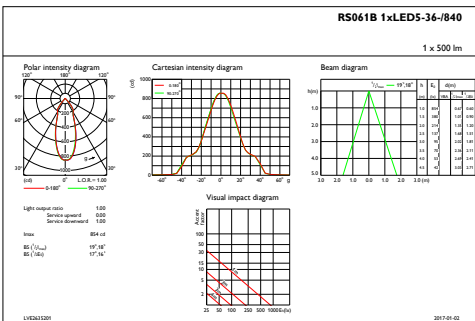


Dimensional drawing

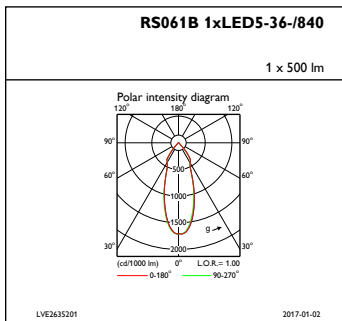


RS061B LED5-36-/840 PSR II WH

Photometric data



IFAS1_RS061B1xLED5-36-840



IFPC1_RS061B1xLED5-36-840

