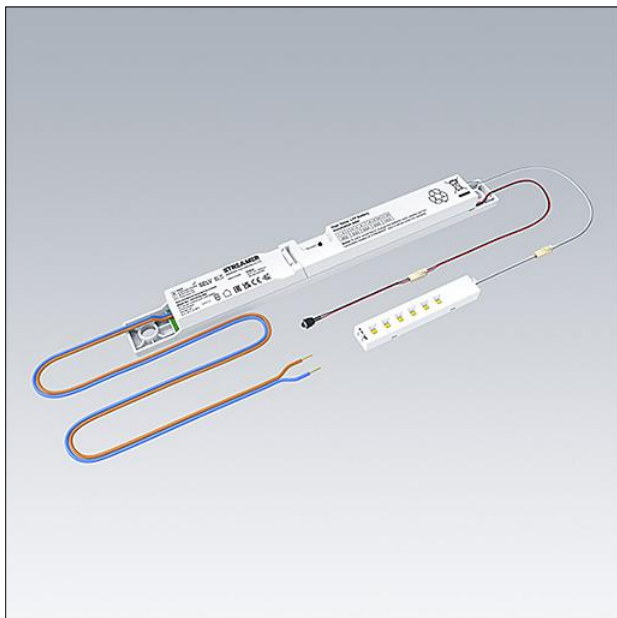
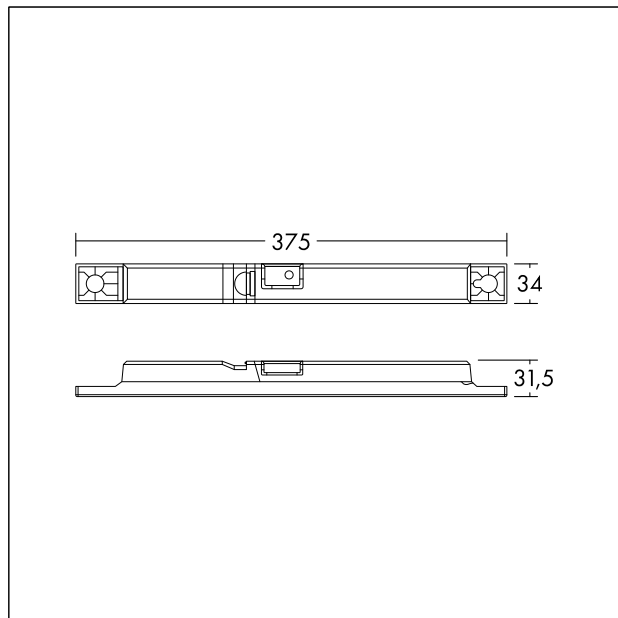


Emergency LED driver

Emergency LED driver with Manual- or SelfTest function (adjustable via switch directly on the product), LiFePO4 battery, LED engine, indicator LED and test switch. Enables quick and easy conversion of THORNeco luminaires for emergency operation. Compatible with JULIE FLEX, POPPY FLEX. SelfTest (EN62034) is ideal for monitoring larger buildings and multiple sites. LiFePo4 battery provides an optimum service life of the battery. Rated supply voltage: 230V ;Supply frequency: 50/60Hz; Output power: 3,5W; Rated emergency duration: 3 hours; Battery: LiFePO4 6,4V 3,3Ah; Initial charge period: 24 hours; Ambient temperature (ta): 0°C to +25°C; weight: 0.34 kg



TE_JUSTE3LINEAR_F_KIT_G1.jpg



TE_JUSTE3LINEAR_M_KIT_G1.wmf